



**ACCESSIBILITY
PROFESSIONALS**

www.Accessible-Bathrooms.com
1-877-947-7769

Installation Instructions

Low Base, 3, 4 and 5 piece showers with SnapJoint

Page 1 of 6

Installation Instructions for 3, 4 and 5 piece showers with the SnapJoint feature.

Model

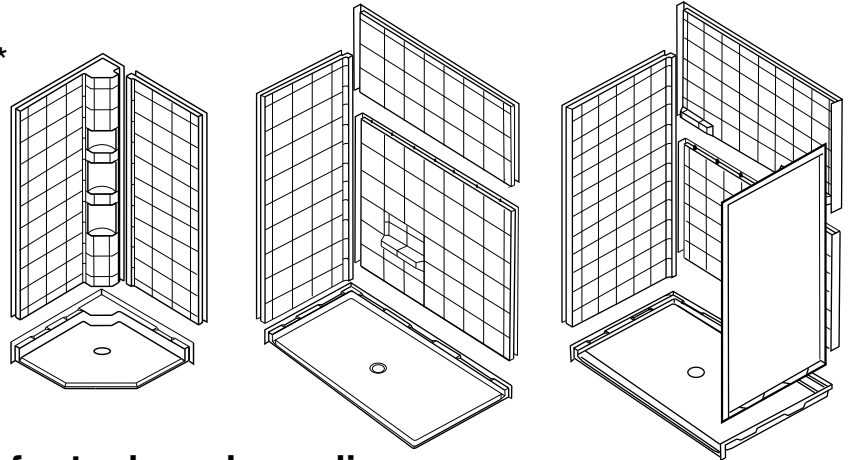
API3LEN4242B75B 3/4/5 LBS SJ + LPB*

API5LES6048B1B 3/4/5 LBS SJ + LPB*

API4LESC6036B15B 3/4/5 LBS SJ

API4LDS4834B75B 3/4/5 LBS SJ + LPB*

3/4/5 LBS SJ



Quick Check List for Installation

See page 2 for Illustrations and page 3 for tools and supplies

1. Decide if you need to recess the unit into the floor for best wheel chair access and if so, cut out the flooring.
If the model you are installing has a beveled curb or if you are using a ramp, this will not apply.
2. Mark where the perimeter of the unit will be on the walls, then mark and cut 1-1/2" inch past that mark.
3. Check the framing pocket for size, plumb and level and adjust as needed.
4. Add studs to the side wall as needed for attaching the vertical front flanges and drywall.
5. Prepare the drain hole in the floor and the drain fitting.
6. Prepare and cut holes for the mixing valve and supply outlet.
7. For units with Low Profile bottom, prepare for "mudset" for bottom support.
See "Installation Instructions for Showers with Low Profile Bottoms" LPB
NOTE: when installing a unit with Low Profile bottom, set the backwall on the pan before blocking access with the bracing boards.
8. Install the Pan (use a plumb bob) and fasten to the studs. See Step 2 on page 3.
9. Install the Backwall and attach at the top.
On a 2-piece backwall, secure the bottom section temporarily before the top section goes on.
10. Caulk the back of the backwall joint and Install the side wall panels and snap the joints flush, using the suction cup (included).
11. Screw to the framing and caulk all joints.
12. Install the optional Flange Trim Kit and other accessories.
Following these first two pages are more detailed instructions.

* + LPB indicates that in addition to these instructions, you also need to follow :
"Installation Instructions Showers with Low Profile Bottoms" (doc# 122002-001)

PREPARATION

Check that all the parts are there and if there is minor damage, it can be touched up later.
Damage claims should be made immediately with the carrier.

1 ea Pan
2 ea Side Wall panels
1 ea or 2 ea (depending on the model) Back Wall panel
1 ea tube of silicone caulk
Remodel Flange Trim Kit (optional)

Other Options

NOTE: Items needed for back wall valve location are indicated the letter "B".

TOOLS General

Tape measure
Pencil
Utility knife
Drill/screw gun
Pilot bit with counter sink
#2 Phillips head bit
Skill saw
Pry bar
Plumb bob
Level (2 ft.)
Caulk gun
Leather gloves (to protect from fibers and metal springs)

SUPPLIES General

40 ea 1-1/2" drywall screws
10 ea shim wedges
4 ea 8 ft 2x4 lumber

TOOLS for Mixing Valve Plumbing

Hole saw, 4" for mixing valve hole
Hole saw, 1-1/4" for supply elbow- or fixed head hole
Pipe wrench
Propane torch
Wire brush for copper fittings
Pipe cutter for copper pipe
Hack saw
Pipe wrench
Hole saw, 1-3/4" for (optional) diverter valve hole
3/8" socket driver (to remove plug from diverter valve)

SUPPLIES for Drain- and Mixing Valve Plumbing

Plumbers putty
Flux
Solder
Pipe dope/Teflon tape
Emery cloth
Pipe strap
Drain and P-trap pipe and fittings as required to adapt from the existing tub drain to a shower drain
Solvent Weld Cement
Pipe Cleaning Solvent

NOTE: All or some of the following plumbing fittings may be needed depending on whether the valve will be located on the back wall or other valve relocation is done.

B 1/2" copper pipe
B copper elbows 90 degr.
B copper elbows 45 degr.
B copper couplings
B 1/2" MIPT x 3" nipple (galvanized or brass)

TOOLS for Showers with Low Profile Bottoms LPB

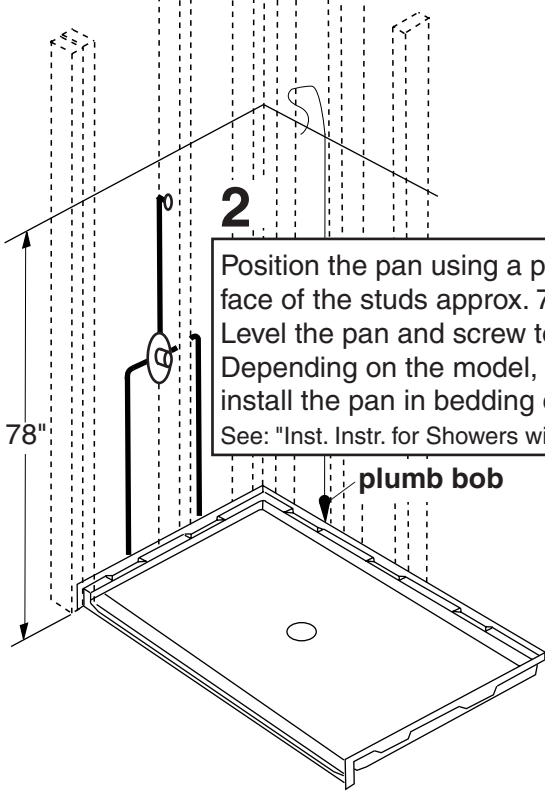
Bucket
Drill Mixer
Trowel

SUPPLIES for Showers with Low Profile Bottoms LPB

Play sand 25 lbs.
Portland cement 25 lbs.
Liquid Nails, 1 ea. std. cartridge

1

Rough in the plumbing to drain, valve and outlet.



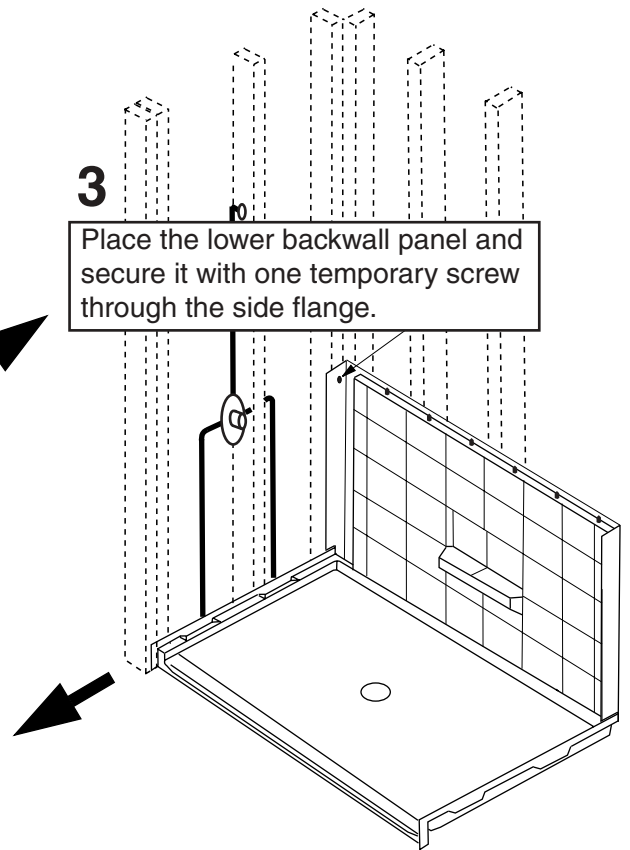
2

Position the pan using a plumb bob from the face of the studs approx. 78" above the floor. Level the pan and screw to the studs. Depending on the model, you may have to install the pan in bedding compound. **LPB**
See: "Inst. Instr. for Showers with Low Profile Bottoms"

plumb bob

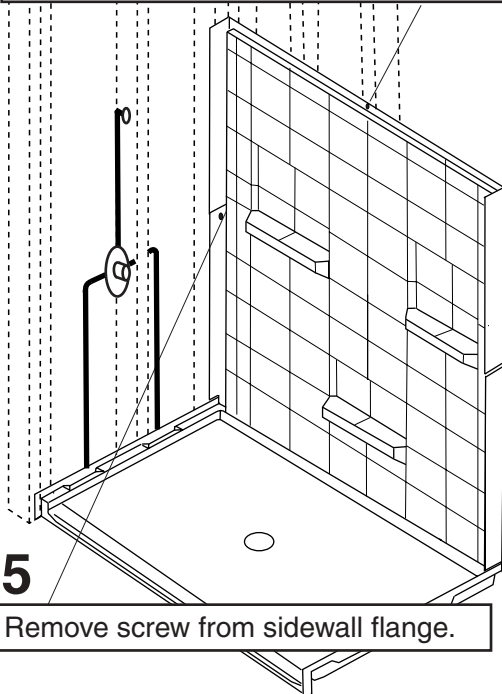
3

Place the lower backwall panel and secure it with one temporary screw through the side flange.



4

Place the upper panel and hold it in place with one screw near the center (not tight).

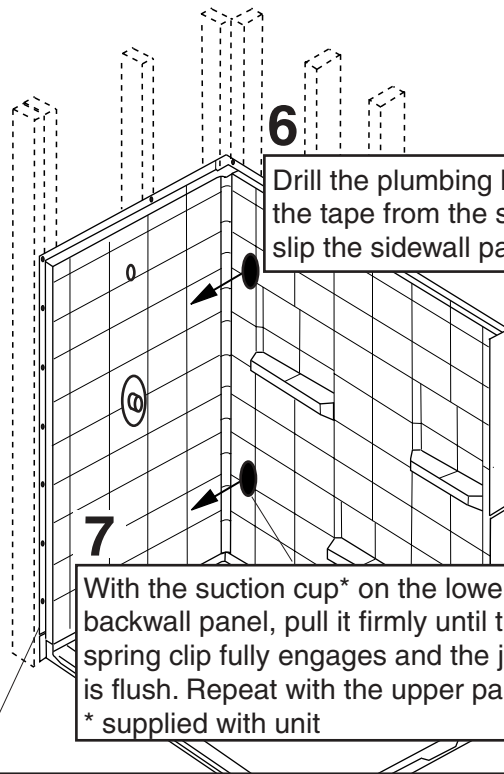


5

Remove screw from sidewall flange.

6

Drill the plumbing holes, remove the tape from the springs and slip the sidewall panel into position.



7

With the suction cup* on the lower backwall panel, pull it firmly until the spring clip fully engages and the joint is flush. Repeat with the upper panel. * supplied with unit

8

With the walls firmly pushed down on the pan, screw through the flanges to the framing.

9

Apply silicone caulk in all joints with a small nozzle.

INSTALLATION

1. Mark and cut out the drywall to fit the shower as follows:
1-1/2" above the level where the highest point of the shower will be.
See Figure 1A

Mark and cut out the drywall in front to fit the shower as follows:
1-1/2" past where the furthest point of the shower will be.
See Figure 1B



Figure 1A



Figure 1B

2. Install the studs that will provide support for the front nailing flanges and the drywall as follows:
Slip two studs in the space in front of the most forward stud **SIDEWAYS** and screw it to this stud.
See Figure 2 A and B.
Now screw the drywall to this stud

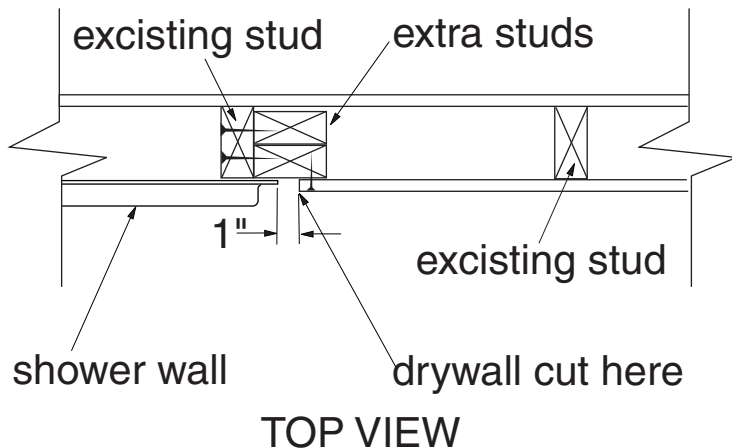


Figure 2A



Figure 2B

If you need to keep the curb as low as possible for maximum accessibility and want to install the pan on the floor joists, proceed as follows:

If the joists run perpendicular to the shower curb, run 2x4 between and flush with the top of the joists. This is to provide support for the back of the pan and allows shimming. **See Figure 3C.**



Figure 3C
(accessible install only)

If the joists run parallel to the shower curb and there is no joist for the curb or rear of the pan to rest on, install blocks against the joists, then install plywood flush with the joists. **See Figure 3D.**



4. Level the part of the floor where the front and the back of the pan will be sitting. **See Figure 4.**



Figure 4

5. Rough in the drain pipe. **See Figure 5.**



Figure 5

6. If you need to install a new diverter mixing valve on the back wall, pre-plan the lay-out with the valve, glide bar and grab bar positions in mind. Shut off the water supply and cut the hot and cold lines between 2" and 4" above the bottom plate. Route these lines through the studs (except for 2 ea 45 deg elbows in front of the corner studs) toward the new valve location on the back wall. **See Figure 6.**

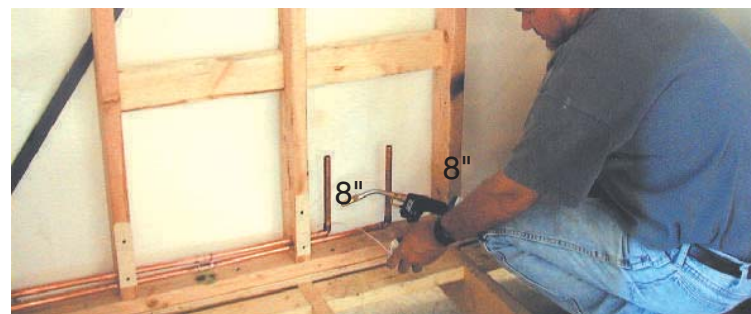


Figure 6

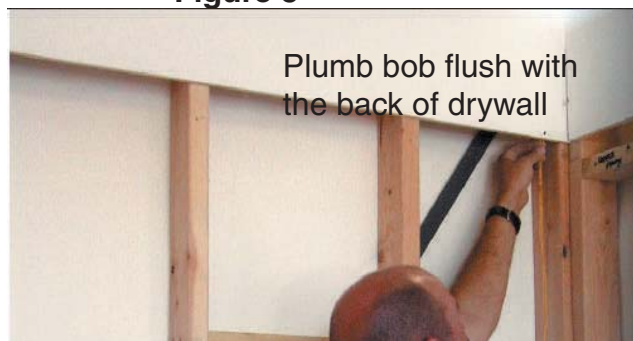
7. Set the pan in the opening, carefully slipping the drain fitting over the drain pipe. (No Figure 7)

8. Level the pan in all directions. **See Figure 8.**



Figure 8

9. Hang a plumb bob FLUSH with the back side of the drywall from temporary screws. **See Figure 9.**



Plumb bob flush with the back of drywall

Figure 9

10. If the studs are leaning in, shim between the pan and the framing and check that the pan is still level before screwing it to the studs.

If the studs are leaning out, you can either:

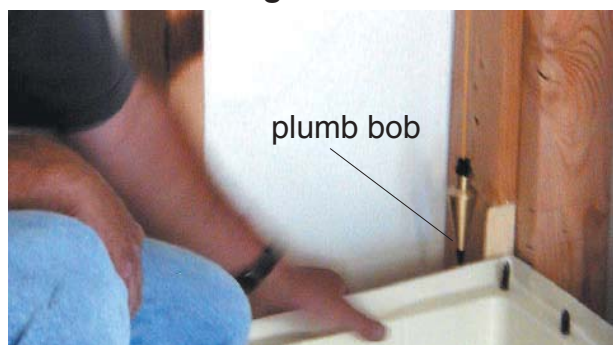
A. Cut into the studs or

B. Shim out.

The optional Flange Trim Kit is a good way to help transition to the drywall.

Keep the screws in the pan flanges close to the edge of the flange so the wall panel will not hang up on these screws.

See Figure 10 A and 10 B.



plumb bob

Figure 10 A

11. Drill the holes for the plumbing, based on the pre-planning discussed in Step 6. **See Figure 11.**

If the plumbing is kept at the original plumbing wall, just reposition the valve (be sure to plug the port to the tub spout that is now unnecessary) and relocate the shower outlet as desired.

If you are installing the valve on the back wall, run the pipes about 8" above the bottom plate, but do not commit to a final position of the valve and fittings until you can line these up with the holes in the wall panels.



Figure 10 B



Figure 11

12. Follow steps 3 thru 8 on page 2.