



**ACCESSIBILITY
PROFESSIONALS**

www.Accessible-Bathrooms.com

1-877-947-7769

Installation Instructions Showers (one-piece) with Low Profile Bottoms

Storage:
Do not rest on
the bottom once
the drain fitting
is installed.

Studs omitted
on this side for clarity

8" x 8" or
8" diam.

a bead at the curb

Epoxy Adhesive
a bead at the curb and a
dollop every 8"

NOTE: The drain cut-out must be 8"
diam. or 8" x 8" and back-filled if it is
larger to prevent flexing.

Screw through
flange every 12"

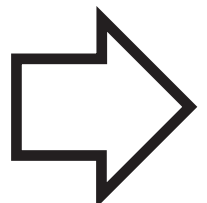
brace to
the ceiling

LPB1

A=approx. 6"

MODEL #s
APILCS4236B5T
APICS6034B75B
APILDS6947A75B
APICS4832B75B

**SEE BACK FOR ADDITIONAL
IMPORTANT INSTRUCTIONS**

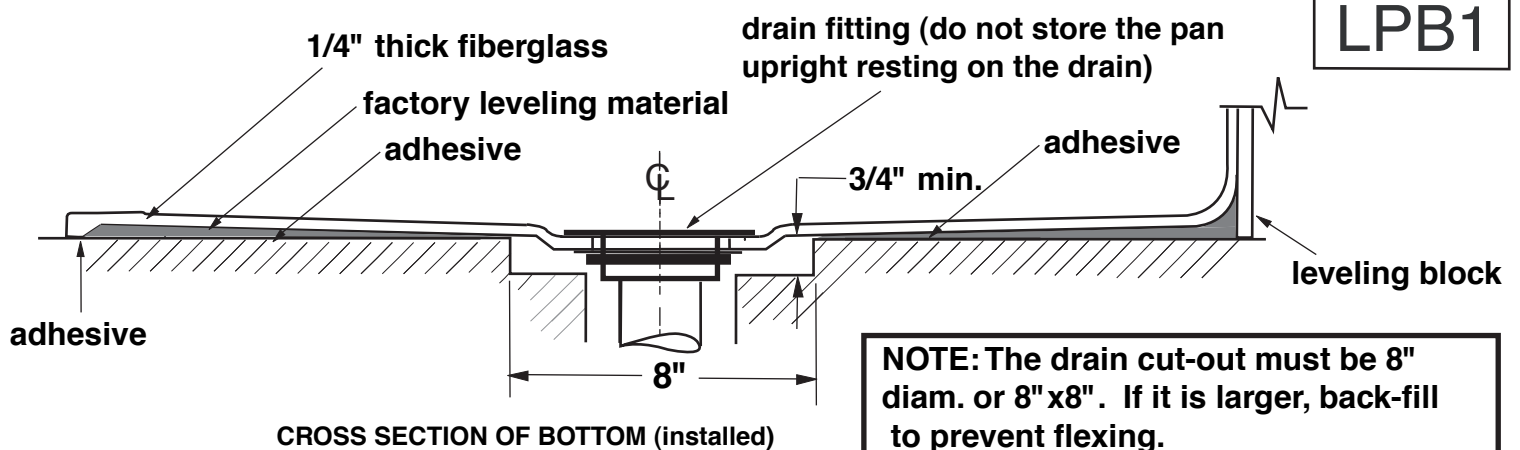




www.Accessible-Bathrooms.com
1-877-947-7769

Installation Instructions Showers (one-piece) with Low Profile Bottoms

The extremely low profile of this shower bottom may eliminate the need for recessing. In order to get full, permanent contact with the floor, it **MUST** be installed per these instructions. Failure to follow these instructions may result in failure not covered by warranty.



Installation:

1. Check the stud pocket for level and correct dimensions and the drain hole in the floor for the correct distance to the studs. The floor must be level +/- 1/8 inch.
2. The shower drain must be centered in an 8" cut-out in the floor (refer to specification or the actual shower). See drawing above.
3. Have the plumber install the drain fitting. **DO NOT** store the unit resting on the drain.
4. Prepare the drain pipe to receive the drain.
5. Clean the floor and the pan's underside. The floor may be damp but no standing water.
6. The leveling material has been scuffed up at the factory. Clean off any debris stuck to it.
7. Remove the plywood strip that is screwed to the leveling block at the back.
8. Draw a line where the curb will be.
9. Put the unit face-down in front of the pocket.
10. Apply the epoxy adhesive to the floor. (See illustration on the front page) At the same time, glue some scrap wood together as a cure time sample for later on.
11. Tip the shower into position, making sure it is positioned at the line drawn in step 8. Avoid stepping on the bottom until the epoxy has set up.
12. When level, screw through the flanges.
13. Use 2x4 boards to brace per the illustration.
14. Make sure the bottom has adequate drain-slope by pouring water in it or with a level.
15. Force bulges down with additional bracing.
16. Check the cure time sample from step #10 and when fully bonded, remove the bracing boards or after no less than 2 hrs. (more if the floor is cold)

SEE FRONT FOR ADDITIONAL
IMPORTANT INSTRUCTIONS

