



**ACCESSIBILITY  
PROFESSIONALS**

www.Accessible-Bathrooms.com

1-877-947-7769

# Installation Instructions Showers (multi-piece) with Low Profile Bottoms

**Storage:**  
Do not rest on  
the bottom once  
the drain fitting  
is installed.

LPBmu L

Studs omitted  
on this side for clarity

8" x 8" or  
8" diam.

6"

brace to  
the ceiling

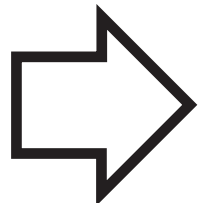
Screw through  
flange every 12"

a bead at the curb

Construction Adhesive  
a bead at the curb and every 2"

**NOTE: The drain cut-out must be 8" diam. or 8" x 8" and back-filled if it is larger to prevent flexing.**

**SEE BACK FOR ADDITIONAL  
IMPORTANT INSTRUCTIONS**





**ACCESSIBILITY  
PROFESSIONALS**

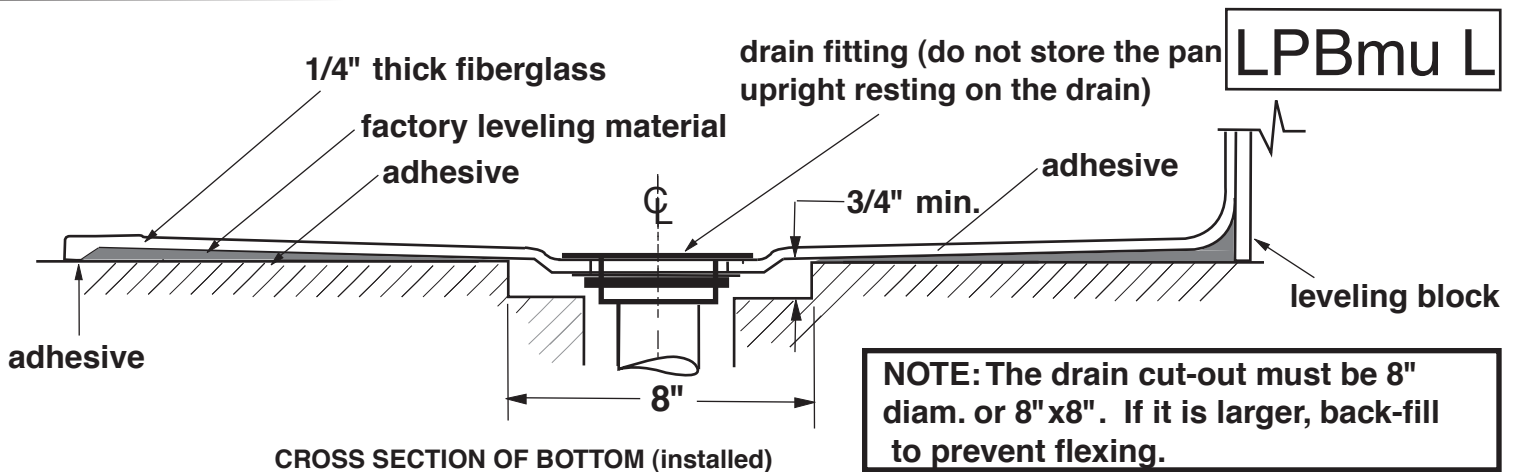
www.Accessible-Bathrooms.com

1-877-947-7769

## Installation Instructions

# Showers (multi-piece) with Low Profile Bottoms

The extremely low profile of this shower bottom may eliminate the need for recessing. In order to get full, permanent contact with the floor, it **MUST** be installed per these instructions. Failure to follow these instructions may result in failure not covered by warranty.



### Installation:

1. Check the stud pocket for level and correct dimensions and the drain hole in the floor for the correct distance to the studs. The floor must be level +/- 1/8 inch.
2. The shower drain must be centered in an 8" cut-out in the floor (refer to specification or the actual shower). See drawing above.
3. Have the plumber install the drain fitting. **DO NOT** store the pan resting on the drain.
4. Prepare the drain pipe to receive the drain.
5. Clean the floor and the pan's underside. The floor may be damp but no standing water.
6. The leveling material has been scuffed up at the factory. Clean off any debris stuck to it.
7. Remove the plywood strip that is screwed to the leveling block at the back.
8. Put the pan in the pocket. To position it, you **MUST** use a plumbob or dry-fit the walls.
9. Draw a line where the curb will be.
10. Prop the pan up and apply the construction adhesive. See front for illustration.
11. Lower the pan into position.
12. Walk in the pan to ensure full contact.
13. Pull it back up and let the adhesive flash off for about 3 min. and lower it back in place.
14. Again, walk in the unit to ensure full contact.
15. Use 2x4 boards to brace over the curb. (See illustration)
16. When level, screw through the flanges, making sure it is at the line drawn in step 9.
17. Make sure the bottom has adequate drain-slope by pouring water in it.
18. Install the walls as per the instructions.
19. Place the additional bracing.
20. Remove the bracing boards after 16 hours.

**SEE FRONT FOR ADDITIONAL  
IMPORTANT INSTRUCTIONS**

doc#IBB 82004-001b

