



ACCESSIBILITY
PROFESSIONALS

SPECIAL CARE UNITS WITH EASY BASE INSTALLATION INSTRUCTIONS

NOTE: AT THE TIME OF INSTALLATION, INSURE THE FLOORING IS LEVEL. LEVEL FLOORING IN THE AREA INTENDED FOR INSTALLATION IS VERY IMPORTANT. IF THE FLOOR IS NOT LEVEL, THE OUTCOME OF THE INSTALLED UNIT COULD POSSIBLY RESULT IN DIFFICULTY WITH THE INSTALLATION. IN ADDITION, THE AREA MUST BE CLEAN AND FREE OF DEBRIS AND MOISTURE.

A 10" x 10" x 1/2" DEEP BOX OUT (10" CORE DRILL) IS REQUIRED TO BE CENTERED AROUND THE DRAIN PIPE. INSURE THIS AREA IS PREPARED BEFORE INSTALLATION.

- 1) Place the shower into the intended alcove to confirm proper placement of the drainpipe and sizing of the alcove. ****HELPFUL TIP: Place two sections of 1/2" PVC pipe on floor to help slide and tilt unit into position.** (REMOVE PVC PIPE BEFORE PROCEEDING TO STEP 2) **Draw a line on the floor where the front of the threshold lies.**
- 2) Remove the shower from the alcove by leaning it forward, so that it can be laid on its front flanges.
- 3) Clean the area of all dirt, trash, oil, grease, water and other contaminants that may affect adhesion.
- 4) Apply Polyurethane Premium Construction adhesive or Liquid Nails to the floor and in a "zigzag" pattern with the spaces between the sides (lines), around 1/2" wide.

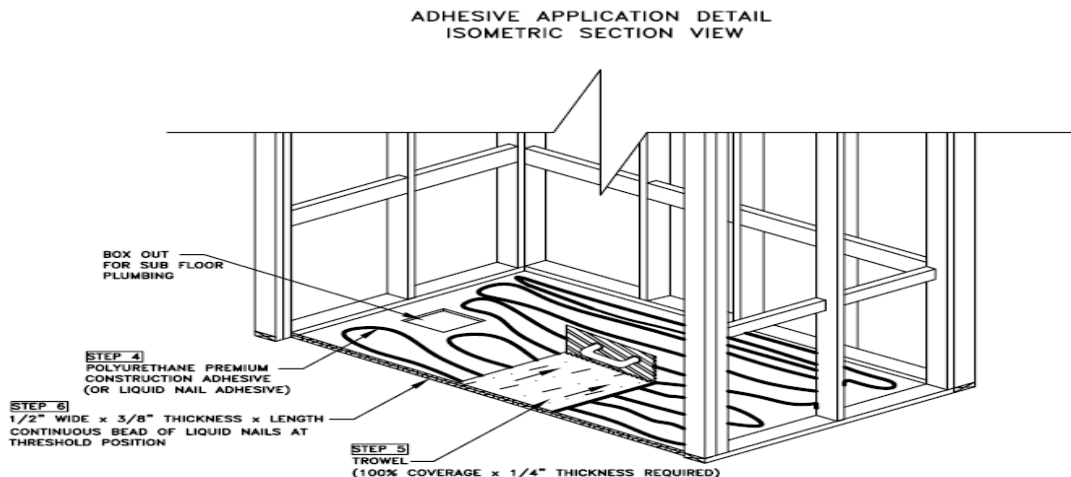


Figure 1

- 5) Using a 1/4" trowel, wipe "across" the lines created in step 4. **100% coverage/contact of adhesive to Easy Base is required.**(See Figure 1)
- 6) Next, apply a continuous bead of Liquid Nails Construction adhesive or Polyurethane Premium Construction adhesive 1/2" wide x 3/8" thick x length to where the threshold of the shower will rest once the unit is installed.
- 7) Secure area around drainpipe with insulation for fire code and to prevent bedding compound from flowing down to the floor below. Fill the 10"x 10" x 1/2" box out (10" cure drill) area with a very wet non-shrink bedding compound 2/3 full. Do not over fill as this will prevent proper floor draft and may put the drain area up causing unit not to drain properly.
- 8) Install the drain provided in the shower prior to setting it into its final position, but do not store the shower on its bottom while the drain is installed. ****HELPFUL TIP: TEMPORARILY REMOVE DONUT SEAL.**
- 9) Set the shower into place and guide the drainpipe into the drain by using the handle of a hammer or similar object.

- 10) Level the shower and set plumb. If the floor is not level, it will require the use of shims to level the shower. If shims are required, they should be placed no more than 6 inches apart to provide proper support. **DO NOT SHIM THE UNIT MORE THAN 1/8"**. If the shower requires more than 1/8" shim adjustment, the shower will need to be pulled out and the floor will need to be leveled. Insure the drain is lined up in the appropriate areas.
- 11) Secure the shower to the framing members through the flanges using 6D galvanized screws on 8" centers.
- 12) Cut a 2 x 4 member of 10" to place directly over the drain area. Cut a 2 x 4 member to extend from the ceiling to the 10" wooden block on the drain area. Protect the shower surface by placing a towel under the wooded block.
- 13) Place the brace from the ceiling to the 10" piece of wood. This should be a tight fit. (See Figure 2)
- 14) Repeat steps 12 through 13, for the threshold, pressing it down to make complete contact with a continuous bead of Liquid Nails Construction adhesive.
- 15) A torpedo level should be placed from floor to insure the unit has proper slope and drainage. If unit does not drain properly, the unit must be pulled back up to determine where the problem lies. This should be done immediately after step 14 before the materials have had a chance to set.
- 16) Unit should be walked in and found to be stable and without flex.
- 17) All bracing can be removed after 72 hours after Liquid Nails Construction adhesive has been applied.

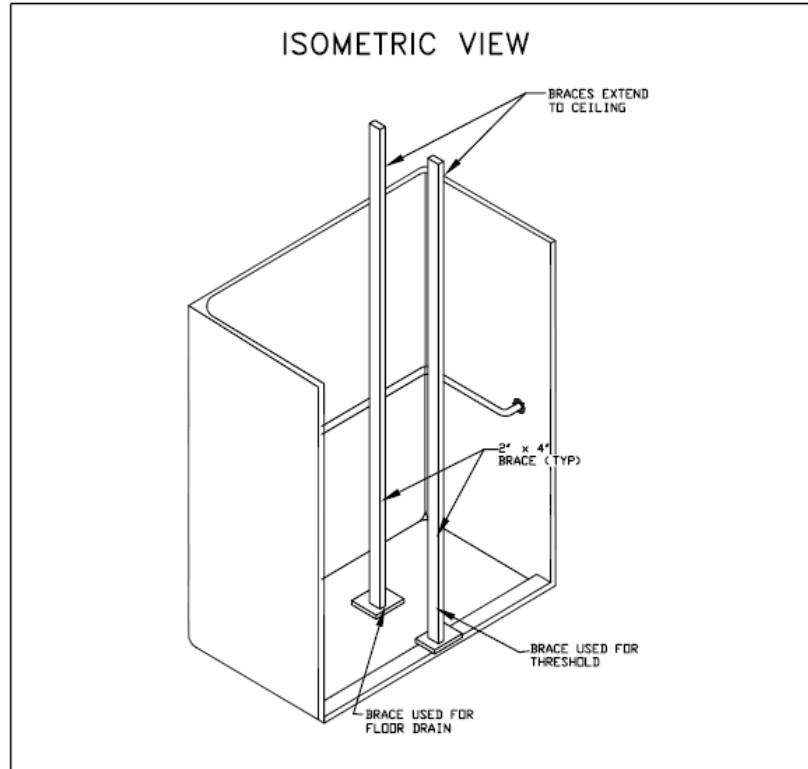


Figure 2

****THE DRAIN CONNECTION SHOULD BE TIGHTENED AFTER THE FLOOR HAS BEEN BRACED, CURED, AND THE BRACED REMOVED i.e. 72 HOURS AFTER INSTALL. **CHECK THE FLOOR TO INSURE THERE ARE NO HIGH SPOTS AND THE DRAFT HAS BEEN MAINTAINED.**

****ATTENTION: THE TRESHOLD MUST BE FLAT ACROSS THE FULL WIDTH WITH NO BOW AND LEVEL TO THE FLOOR.**

Following the appropriate installation procedures is imperative on this product. Not following these procedures could result in product failure which will not be covered under manufactures warranty.