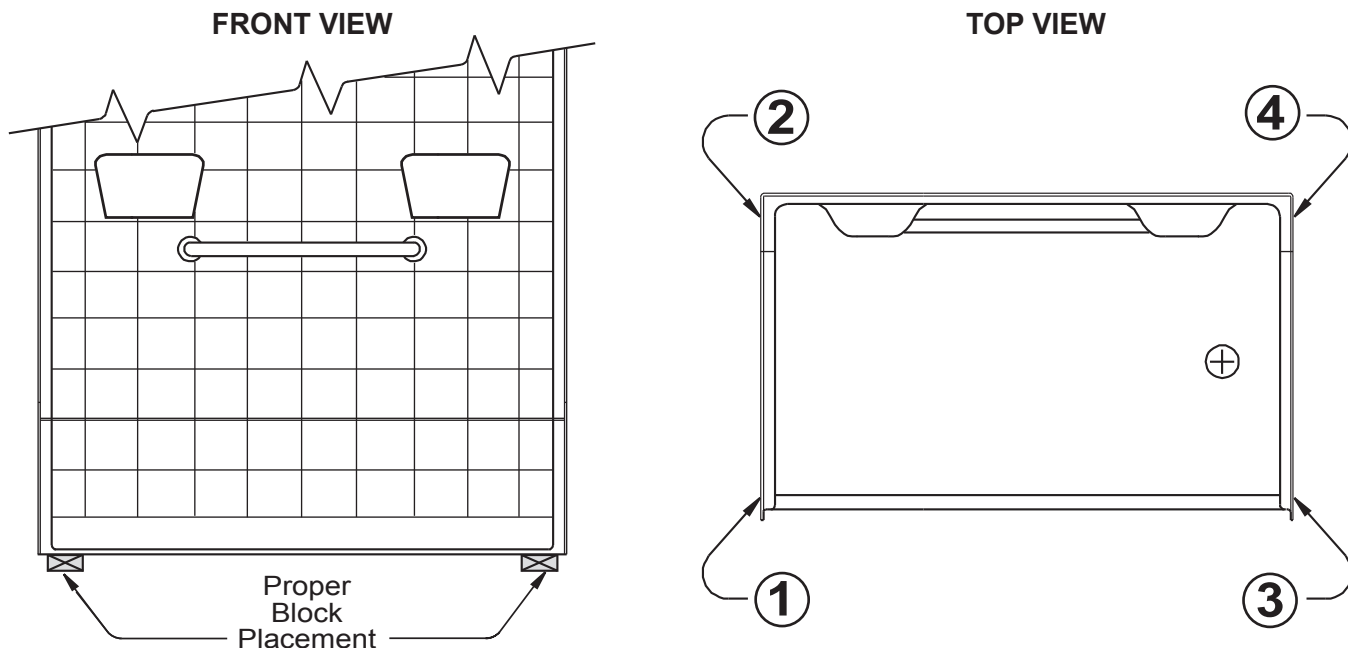


STORAGE AND HANDLING OF FOUR PIECE SHOWER UNITS

1. Most handling damage is the result of impact blows to the back side of the fiberglass units.
2. These sectional units are typically unpacked and unbolted so the separate parts may be moved to the installation area. Please use caution when unbolting the sections. Carry the parts with minimal flexing to avoid stress cracks. (Measure and mark supply valve and shower head locations before unbolting).
3. Placing objects inside the unit can cause scratches or nicks to the finished surface.
Do not use the shower as a trash receptacle! Always place a drop cloth or cardboard on the floor when working inside the shower.
4. Storing units outside right-side up can cause sunlight to discolor the gelcoat finish. Also, unit becomes unstable and is easily knocked over by wind or bumping.
5. The back of a fiberglass unit is not waterproof. Unit must be stored so water will drain off and not accumulate in one spot. Water can permeate the back laminates and soak the glassed in wood or cardboard supports causing bulges in the gelcoat surface.
6. Never drag a fiberglass unit on any surface. Always transport the unit by hand using (2) people or two wheel dolly.
7. Never let a fiberglass unit drop from any height, not even an inch or stress cracks are likely to occur.
8. Never clean fiberglass gelcoat surface with metal tools of any kind, including razor blades.

VERY IMPORTANT FOR LOW THRESHOLD SHOWER:



The low threshold showers, model numbers: APES6030BFKD1 and APFTXST6030BFKD1 must be stored with special care. During storage, this unit should never sit as it was received. It should be stored with a 2" x 4" block of some other type of material at each of the (4) points numbered above in the top view. Units having altered threshold heights do not have wooden bottoms to reinforce the floors. By placing the unit on blocks, the molded drain will not rest on the floor. This will allow the draft of the floor to be maintained without the weight of the shower unit pushing the drain upward. The blocks should only be placed at the outside corner edges of the unit and should not be placed under the middle of the threshold. This procedure should only be used during storage and not for installation. Certain units may ship with a template under them to prevent the drain from resting on the floor. This template should remain attached during storage and removed just before installation.

PLANNING YOUR INSTALLATION

1. Carefully remove the old bathtub at the installation site. The replacement showers are 82" tall so wall board should be removed on all three walls to at least this height.
2. The shower unit must be disassembled for installation. All joints must be caulked as they are installed. When moving the parts, take care to avoid striking the edges of the wall sections to prevent chips or cracks.
3. Study framing diagrams. Adjust drain and water supply locations if required. Cutout in floor for drain requires a minimum size of 10" x 10".
4. Modify framing if required. There should be a framing member behind each flange. Make sure your framing is plumb and square.
5. Planning is necessary for Tin-Set mortar to be placed in the drain core area for all installations. Proper blocking is required to prevent the Thin-Set from flowing to the floor below.

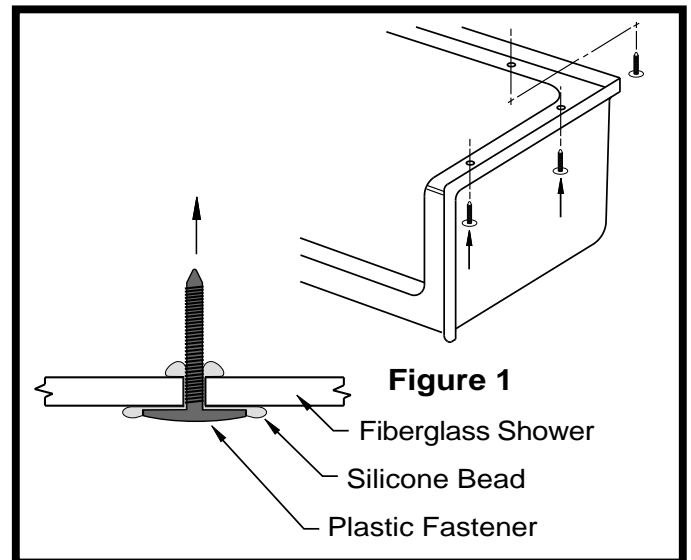
Showers configured with the factory installed Easy Base™ self leveling, reinforced bottom will be installed using panel adhesive. However, wet mud will be used in the drain core area on these units. See Figure 2.

INSTALLATION INSTRUCTIONS

1. Before you disassemble the shower unit, transfer the locations for the supply valve and shower head on the unit. Mark these locations on the back (reinforced surface) of the unit. After double checking the locations, drill 1/4" pilot holes.
2. Always place cardboard or a drop cloth in the shower base to protect the finished surface. Working from the finished side of the unit, using the proper size hole saw, cut holes for supply lines and shower head.
3. Remove the connection bolts and disassemble the unit. If present, remove shower rod. Carefully carry the parts to the installation area. Do not flex the parts when moving to avoid scratches and stress cracks.
4. The shower may be reassembled and installed in one piece if there is sufficient room. Typically, the parts are installed piece by piece starting with the base. If installing in one piece, the metal nuts and bolts will be used for permanent connection. The installer must apply 100% silicone caulking to all connection surfaces for final installation.
5. When installing piece by piece, use the plastic fasteners in place of the nuts and bolts. The fasteners will act as guides that will index the parts together for installation where access to the back side is unavailable.
6. Apply a liberal amount of 100% silicone caulk to each fastener before inserting them through the holes. **See Figure 1.**

Insert the plastic fasteners through the holes from below so they point to the ceiling.

7. Insert plastic fasteners through the holes in the vertical mounting surfaces on each side of the back wall. These must be inserted from the back so they point toward the front of the shower. Again, apply 100% silicone caulk to the fasteners before inserting them through the holes. **NOTE:** The caulking must be allowed to cure before assembly of the unit.



8. Carefully position the shower base so it sits on the front mounting flanges. Install the drain fitting in accordance with instructions provided with the fitting. Do not allow the base to sit on the drain fitting.
9. Review the framing diagram illustrated in Figure 2. The diagram details the method of installation of the Easy Base self leveling reinforced bottom. When installing, it is **ESSENTIAL** to assure the **ENTIRE** bottom of the shower be securely adhered to the building floor. The shower will not drain properly unless the bottom is properly installed in accordance with these provided installation instructions. Review Figure 2 and read these instructions thoroughly when planning your installation. Failure to install the unit in accordance to these provided instructions will void the warranty.

Accessibility Professionals are not responsible for installations that do not adhere to these provided instructions.

FRAMING DIAGRAM FOR 4 PIECE REPLACEMENT SHOWERS

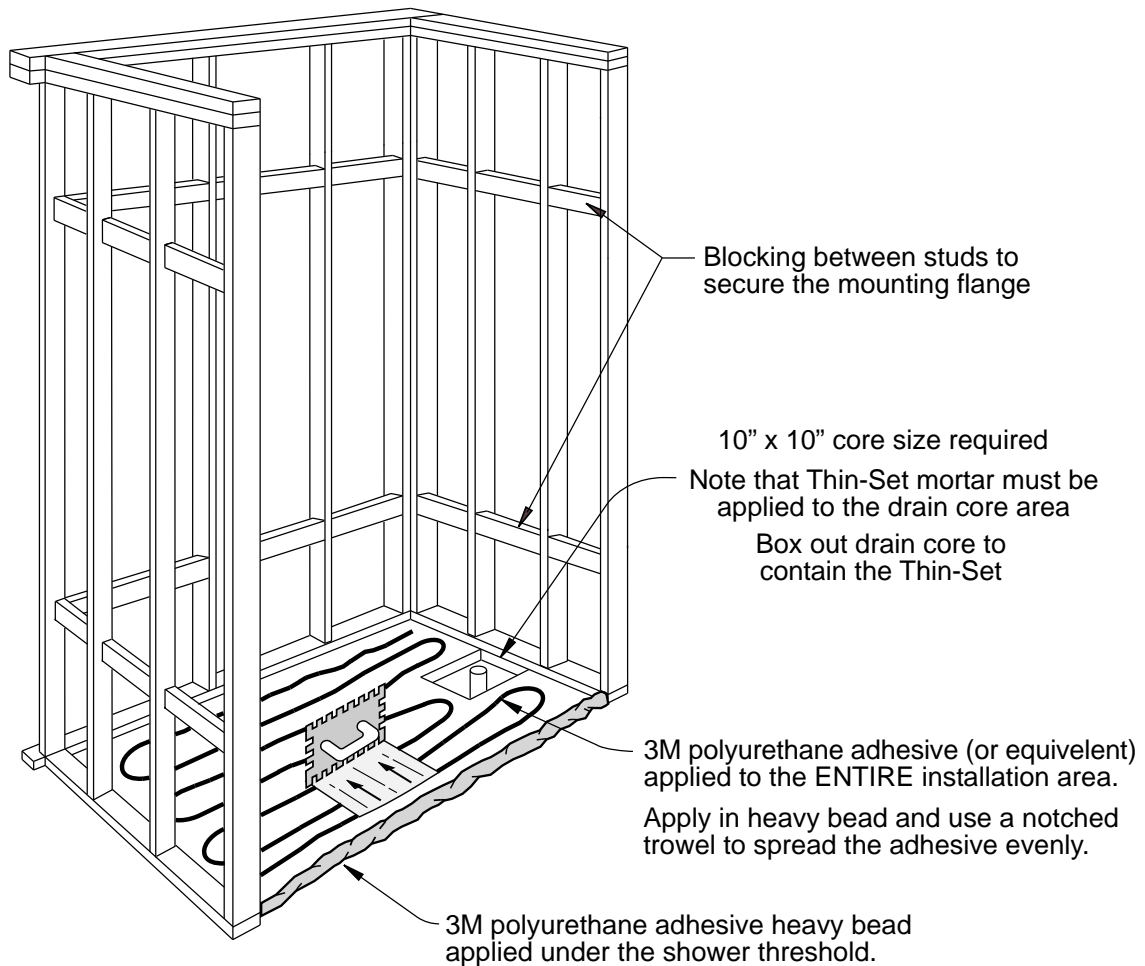


Figure 2

Example of Adhesive Pattern (Easy Base)

10. Study framing diagram and note the important installation requirements.
Note that Thin-Set mortar is used in the **DRAIN CORE ONLY**. Fill the drain core only 2/3rds full of Thin-Set. Do not overfill as this will prevent proper floor draft and may push the drain area up causing the unit not to drain properly.
The shower base is installed separately from the wall sections. Before applying any Thin-Set or Adhesive, trial fit the shower base to confirm the alcove is of proper size and the drain is located properly.
11. The ENTIRE bottom is adhered to the Sub-Floor using 3M Ployurethane Construction Adhesive (or equivalent). This includes the entire bottom minus the Drain Core.
12. Note in the FRAMING DIAGRAM that constuction adhesive is spread over the entire area where the Easy Base is in contact with the Sub-Floor. This includes the front threshold area.
13. Before beginning installation, it is ESSENTIAL that the sub floor in the installation area be completely clean. It must be free of all dirt, trash, oil, grease, water and other contaminants that may affect adhesion. Thoughly clean the area before proceeding with the shower installation.
14. After blocking the drain core, apply the aproprate amount of Thin-Set in the drain core area. Then appy a liberal amount of Construction Adhesive to the installation area. Use a notched trowel to evenly destribute the adhesive over the entire installation area, minus the drain core. Apply a wide bead at the front where the shower threshold will be located.
15. Carefully lift the shower base into the framing alcove. Guide the shower drain pipe with a hammer handle or equivalent. The entire bottom of the Easy Base including the threshold must be in full contact with the Construction Adhesive.

16. Check level in two directions: Front to back and side to side. Use a carpenter's level placed on top of the threshold and along the top surface of each side wall.
17. Fasten the shower base to the framing through the flanges using 6D galvanized screws on 8 inch centers along both sides, across the back and at the front of each side vertically.

ADDITIONAL INFORMATION FOR LOW THRESHOLD SHOWER

18. The low threshold shower is constructed without wood reinforcement built into the bottom. It is critical that factory shape of the shower floor and threshold be maintained.

Cut a 2 x 4 member of 10" to place directly over the drain area. Cut a similar member and place on top of the threshold at the center. Install cloth or cardboard under these boards to protect the gelcoat finish.

Install 2 x 4's on top of each of the blocks that extend to the ceiling. **This should be a tight fit.** The purpose of this bracing is to hold the drain area and threshold in the proper factory position. This bracing must be done immediately after Step 15 before the support materials have had a chance to set up.

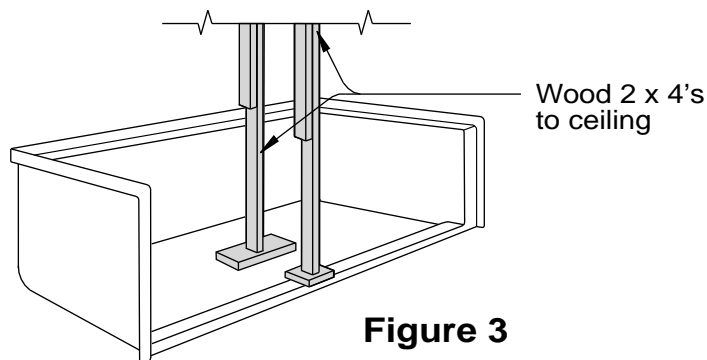


Figure 3

19. A torpedo level should be placed from floor to assure the unit has proper slope for drainage. If unit doesn't drain properly, the unit must be pulled back to determine where the problem lies. If any high spots are found, remove excess mortar to correct the problem. Low spots must also be corrected to avoid pooling of water.
20. Perform a test walk in the unit to determine the floor is stable and without flex. The mortar and adhesive should be given time to firm up before installing the wall sections. Working in the unit too soon could cause the reinforcing materials to shift resulting in depressions in the floor. Under normal conditions, waiting 90 minutes before installing the wall sections should give enough time for the materials to firm up. Leave the wood bracing in place 72 hours to achieve full cure.

INSTALLING THE BACK WALL

21. The silicone around the plastic fasteners should be cured before proceeding to the wall installation.
22. Use 6 wooden 2 x 2 blocks spaced evenly along the top connection surface of the shower base. These blocks will hold the wall sections above the mounting surface until you are ready for final installation. Use masking tape to temporarily secure the blocks. See Figure 4.
23. Apply a continuous bead of silicone caulk to the top connection surface. Apply the caulk between the inside edge and plastic fasteners. (See Figure 5). The holes in the back wall mounting surface will index with the plastic fasteners to line up the part with the base. The caulking will secure the parts together when it cures. See Figure 6.

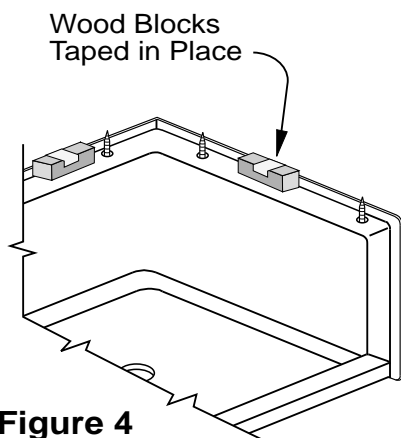


Figure 4

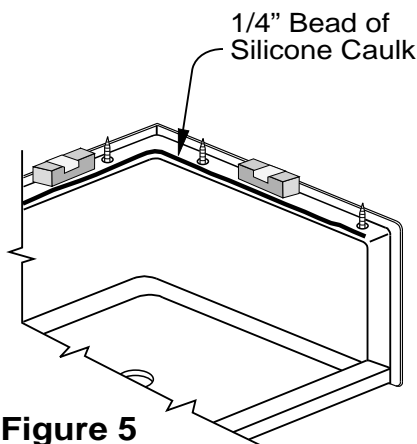


Figure 5

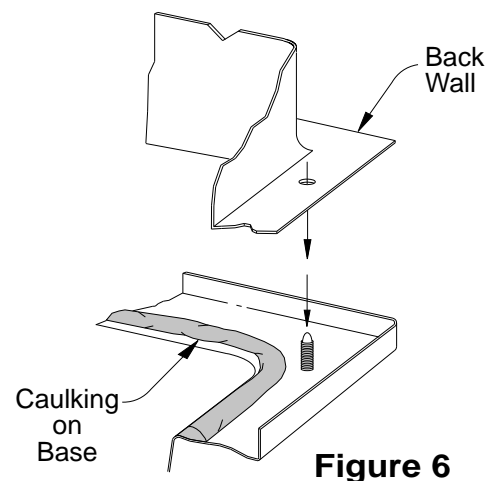


Figure 6

24. Place the center wall panel in place resting on the wood blocks. One by one, remove the back blocks and carefully lower the wall panel down on the connection surface. Note that the wall panel sticks out past the base unit approximately 3/8" when it is in the installed position. This is a normal function of the design. Take care to make sure the plastic fasteners slip through the corresponding holes in the wall panel.
25. Work the wall panel down so the caulking will spread along the bottom to create a water resistant seal. Make sure the edge of the panel is even with the edge on the shower base. Wipe away excess caulking. Once the caulking cures, it will assist in securing the bottom of the wall in place.
26. Using a carpenters level, make sure the back wall is plumb. Fasten the wall to the framing through the mounting flange using 6D galvanized screws. At this point, fasten at each corner, and do not tighten the screws completely. There may be need for slight adjustment after the two side walls are installed.

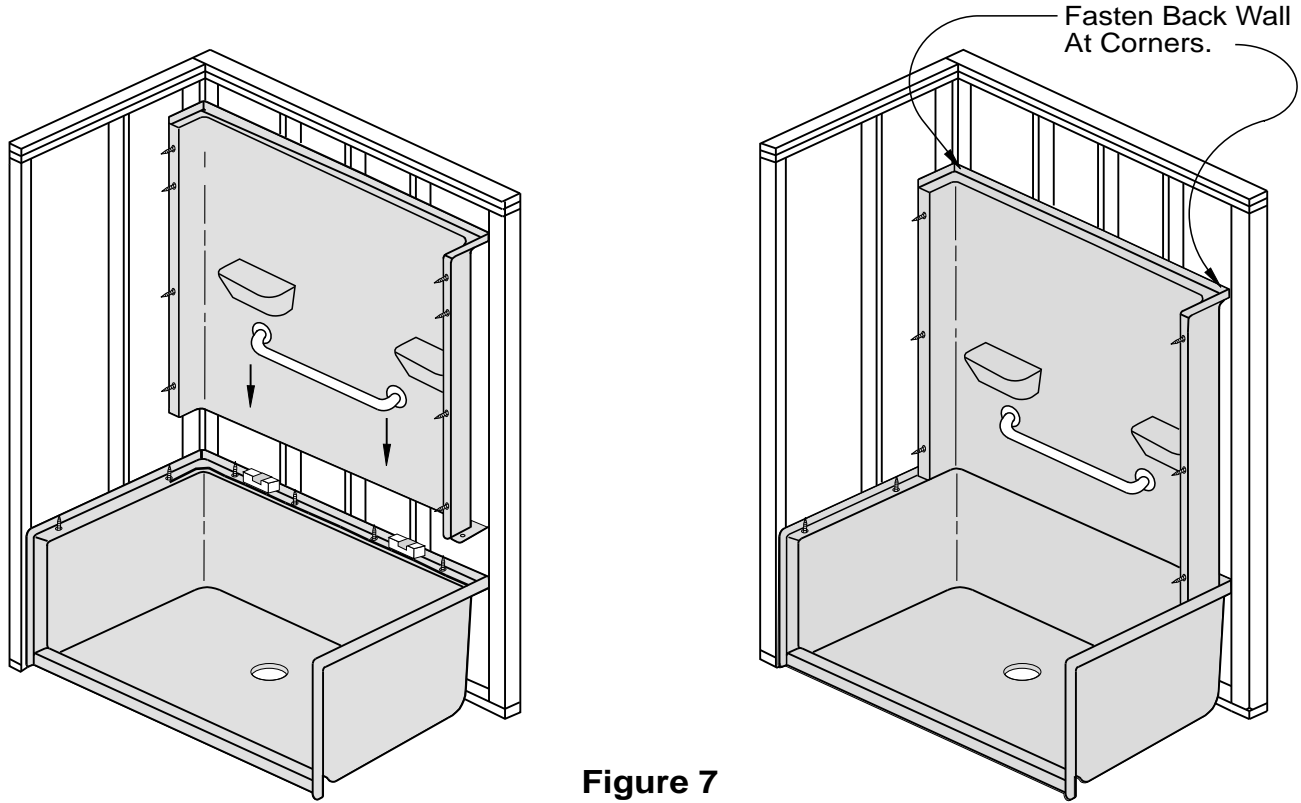


Figure 7

INSTALLING THE SIDE WALLS

27. To install the side walls, apply a bead of 100% silicone caulking along the entire connection surface of the back wall and shower base. The caulk should be applied between the plastic fasteners and inside edge of the base.
28. Carefully lift the wall panel opposite the fittings and place it on the wood block. Take care to line up all holes in the side wall with the corresponding plastic fasteners in the back wall and shower base. Remove the wood block and move the wall into the installed position. As with the back wall, the side walls will stick out 3/8" past the base unit when the walls are in the installed position.
29. Press the wall into the caulking to create a water resistant seal. Make sure all seams line up in a satisfactory manner.
30. Install one galvanized screw in each corner of the wall panel to hold it in position.
31. Repeat this steps to install the opposite wall. The exception is to guide the control valve stems through the panel as it is moved into place. Press the panel into the caulking. Make certain the shower arm fitting is lined up with the hole so the shower head can be installed.

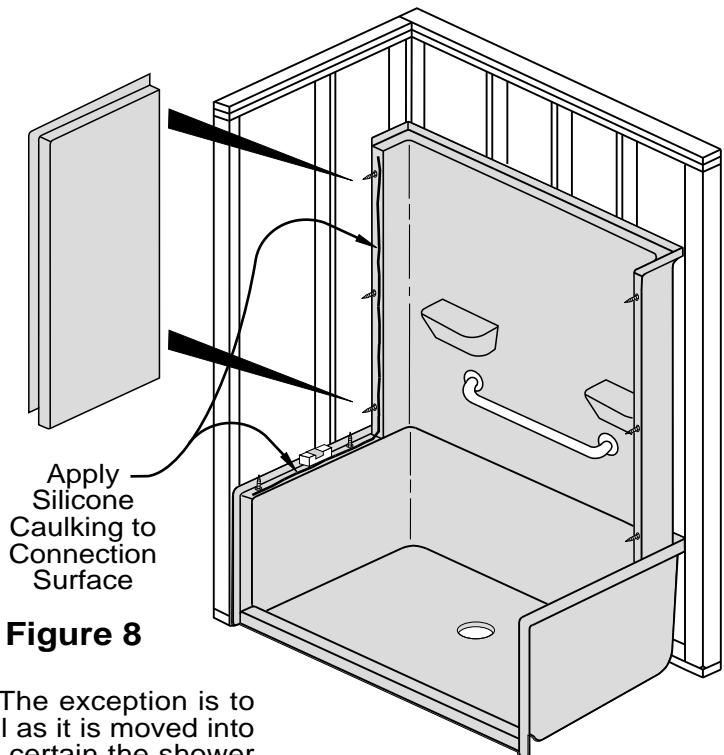


Figure 8

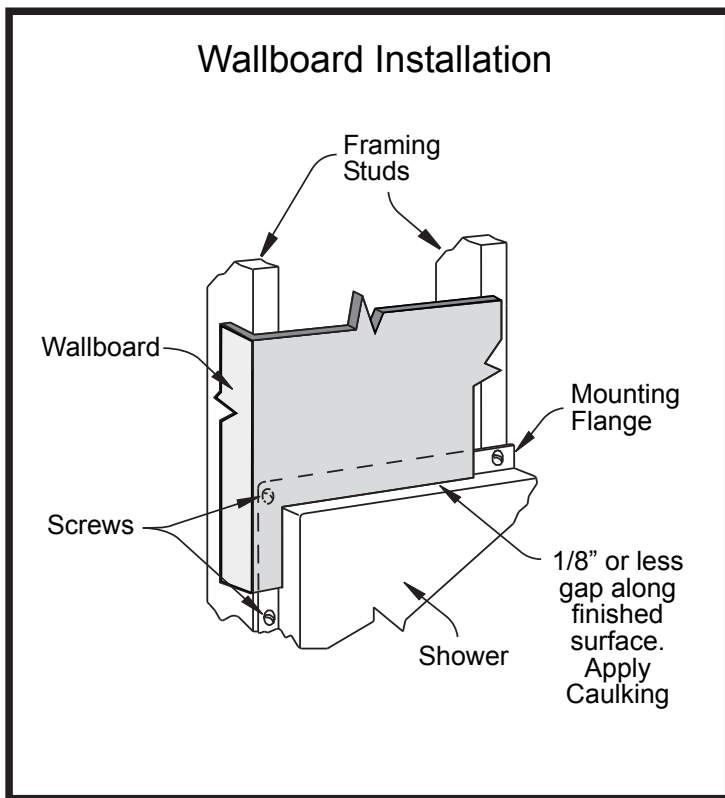
32. Insure the seams on all three wall sections line up with the shower base. Make certain the walls are seated in the caulking. Make certain the control valve stems and shower arm connections are lines up with the holes in the wall section. When satisfied with the fit, tighten the galvanized screws. Install additional screws on 8" centers vertically and 16" centers horizontally around the top of the wall.
33. Proceed with all plumbing hook ups. Water test all connections before enclosing behind the unit. Wipe away any excess silicone caulking along all seams before it cures. Moisten a finger to smooth the caulking for a good finish.

INSTALLING THE SHOWER ROD

34. Reinstall the curtain rod from the backside using the hardware provided. Secure the rod with panel adhesive on the backside to prevent it from turning.

WALL BOARD INSTALLATION

35. Typically, wallboard is installed to cover all mounting flanges. Wallboard should be held about 1/8" away from the finished surface of the shower walls. This small gap should be caulked to create a water resistant seal along the edge of the wallboard. Fasten the wallboard to framing with nails or screws. Finish as typical using corner bead if required. Remove joint compound before it dries.



CLEANING AND CARE

Do not use abrasive cleaners

Do not use abrasive cleaners which may scratch and dull the surface of the unit. To clean the unit after installation, use warm water and one of the stronger liquid detergents such as: top Job, Liquid Ajax or Mr Clean. Use these liquid detergents for normal day to day cleaning also.

Plaster can be removed with a nylon or polypropylene scrubber. Do not use metal tools of any kind. Powder detergents such as Spic & Span may be used with a damp cloth to remove residue plaster. Minor stains may be removed using ammonia or bleach.

Lighted smoking materials will leave burn marks. This damage can often be repaired by using automotive polishing compound followed by an application of automotive body wax.

Extensive damage can be repaired. Such repair work should be performed by a professional repairman. If local service is not available or if you need further assistance, contact Accessibility Professionals Customer service by calling: 1-877-947-7769.



www.Accessible-Bathrooms.com

1-877-947-7769

LIMITED WARRANTY

Accessibility Professionals warrants to the owner of its Shower units as follows:

Units manufactured of fiberglass reinforced polyester resin, that it will, free of charge, repair or exchange as its option, any Accessibility Professionals unit found to be defective in materials or workmanship upon inspection by an authorized representative of Accessibility Professionals for a period of three (3) years from date of purchase. The exchange of a unit is limited to supplying a replacement unit of comparable size and style and does not include any costs of removal or installation.

This warranty shall be voided if the unit is moved from its place of initial installation or is not installed in accordance with the instructions supplied by the manufacturer of the unit. Further, this warranty does not apply if the unit has been subjected to accident, abuse, misuse, damage caused by flood, fire or act of God.

Since local code requirements vary greatly throughout the country, distributors, dealers, installation contractors and users of plumbing products should determine whether there are any code restrictions on the use of a specific product. Accessibility Professionals makes no representation or warranty regarding and shall not be responsible for any code compliance.

The owner agrees by use of this unit that the obligations of Accessibility Professionals shall not exceed to contingent or indirect damage or injury to the structure of its contents, that the obligations of Accessibility Professionals are limited to those set forth herein, and that no other obligations, expressed or implied, are assumed by Accessibility Professionals. Contact: Accessible Professionals Warranty Department. 1-877-947-7769