

Pre-Installation Planning

READ INSTRUCTIONS COMPLETELY BEFORE BEGINNING INSTALLATION.

1. Do not store units out doors.- Keep out of sunlight and exposure to weather.
 - Do not lift the tub by the piping. Lift only by the tub main deck.
 - Inspect the tub for damage or shortage. Verify that the unit specifications are correct. If damage or shortage has occurred notify the distributor or freight carrier immediately.
 - All tubs are factory tested for leaks and general operation. Because of handling and shipping, we urge you to perform a similar test prior to installation: Plug drain with duct tape and fill with water. Have the electrician make a temporary, safe, grounded G.F.C.I. protected connection. Press the on/off button and check for leaks at all pipe connections. If any leaks or controls fail to operate properly, do not proceed with installation until you have contacted the tub repair department by phoning: (800) 327-1394.
2. There are four different models of the walk in tub. The primary difference is the overall size. Refer to the Product Diagrams on Page 6 of this manual for details. Dimensioned drawings of each model are located on this page. Use these diagrams when planning the size of your installation.

The APF6032WI is a 60" x 32" tub. The three other models are 42 -to- 53 inches in length. This is a consideration when installing the walk in tub as a replacement for an existing tub. The existing tub is probably 60 inches long.

If you are replacing a 60" tub, a color coordinated tub extension kit is available to fill the area and create a decorative ledge (See Figure 1). If you plan to finish the area with tile, install green board or its equivalent and tile the area. Plan the framing to match the size of the tiles.

See Figure 7 in this manual for more details.

NOTE: Before installation, adjust tub levelers for proper height. Add the two center levelers, packed in plastic bag. Space from floor to bottom edge of tub rim must be 36 3/4" to provide clearance for cover panel installation.

Test fit all the cover panels for fit prior to moving the tub into the installation location. Adjust levelers if necessary.

See Figure 3 in this manual for more details.

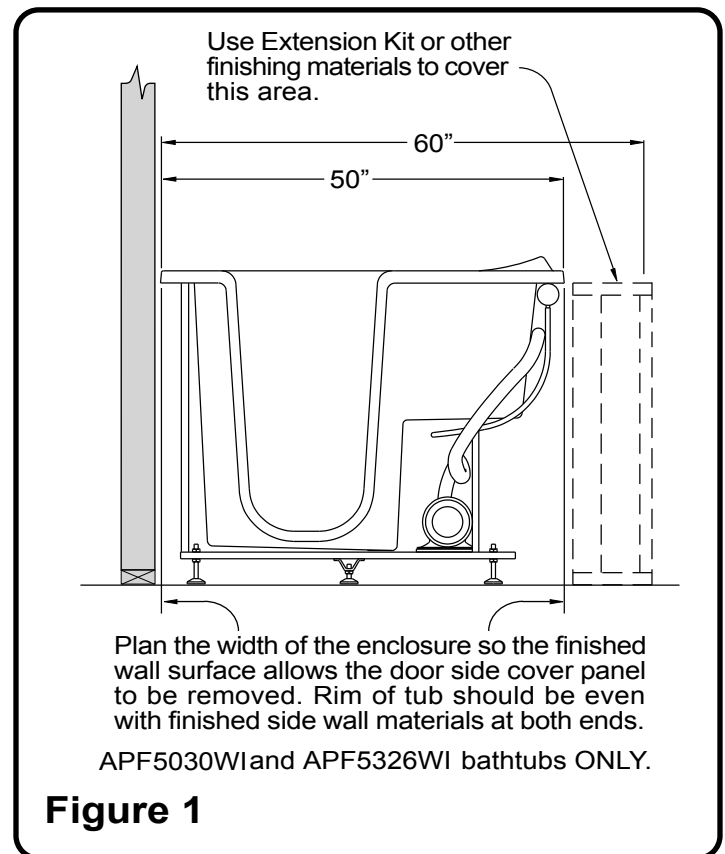
3. For new installations, placement in the room is dictated only by the location of the tub door. Plan carefully so the entry into the tub is convenient and comfortable for the bather. If you are installing a hand held shower and/or grab bar, plan and install water supplies and reinforcement for grab bar mounting before you install the walk in tub.

4. A tub filler is not included with the tub. You may want to consider purchasing a high flow rate faucet so your tub will fill faster. Also consider using a faucet mixer with thermal protection. This will prevent accidental scalding. These type of water fittings are available at the dealer where you purchased your walk in bathtub.

ELECTRICAL CONNECTIONS - ALL WIRING MUST BE DONE BY A QUALIFIED ELECTRICIAN.

Each tub mounted electrical component with a cord and plug must have a separate dedicated circuit provided by the installer. Each electrical circuit must have only one tub component connected.

CIRCUIT REQUIREMENTS: 120V, 60 Hz, 15 A, protected with a GFCI (Ground Fault Circuit Interrupter) Class A connected at the main electrical service panel for each electrical component. The dedicated circuits should terminate with grounded receptacles installed in water resistant electrical enclosures. The walk in tub components will be plugged into these receptacles. Locate the receptacles a minimum of 6 inches above the sub floor and located so they will be hidden from view when the installation is complete. Access to the electrical components should be provided either by the removable access panel or by constructing a removable access through the wall board.



Installation Procedure

1. Begin by preparing your plumbing. You may be able to reuse the existing water supply lines. Extend the lines if required to meet the higher than typical walk in tub. Study product diagrams and relocate drain line as required for connection to the overflow kit provided with your unit.
2. Install the faucet on the tub deck opposite the seat. Carefully measure and mark hole locations on the finished side of the tub. Double check hole locations and drill 1/4" pilot holes. Cut holes to final size using the appropriate size hole saw. Install faucet according to the manufacturers instructions.
3. Install the drain and overflow assembly on the tub following the directions enclosed in the overflow assembly carton. The assembly is a high quality, cable activated product that once installed will provide easy operation of the tub drain.
4. Prepare the room walls in the installation location. Refer to the applicable Product Diagram for the tub length, width and height. **NOTE: THE DOOR SIDE COVER PANEL FOR THE FL5030WI AND APF5326WI TUBS MUST BE REMOVABLE FOR FUTURE MAINTENANCE. PLAN THE WIDTH OF THE INSTALLATION AREA SO WALL BOARD AND FINISHED WALL MATERIALS ARE INSTALLED TO CLEAR THE EDGES OF THE DOOR PANEL SO IT MAY BE REMOVED.**

If you are using the available tub extension kit, or are constructing your own structure to extend the enclosure in some manner to account for a 60 inch area, install the required stud framing at this time. Refer to Step 15, Figure 7 of this manual for more information.

5. Install the metal hanger on the long side stud wall. Measure up from the floor 33 3/4". This will be the bottom of the metal hanger. Attach hanger through the slots to the studs with lag screws with flat washers. Blocking between the studs may be required. The tub rim will fit between the angled tabs of the hanger and framing studs. Some adjustment may be necessary. (See Figure 2.)

NOTE: If you are installing the APF6032WI, do not use a metal hanger. The APF6032WI has a molded mounting flange that is used to attach the tub to the studs.

6. Clean the area where the tub will be installed. This step is important so that all loose particles are removed so they will not be pulled into the blower and plug the air bubblers.

7. The walk in tub is mounted to a stainless steel welded support frame. This frame has 6 leveling legs that may be adjusted independently to account for minor out of level floor conditions. The side cover panel that fits along the door side is provided with the tub. The tub levelers must be adjusted at the proper height to accommodate the panel. Two additional center levelers are packed with the tub in a plastic bag. Install these at center of frame as shown in Figure 3. Adjust levelers so the opening for the cover panel is 36 3/4". Note that finished floor and side walls must be clear of the edges of the panel so it may be removed later should maintenance of the tub be required. The APF6032WI tub panel is permanently installed and has a built in access opening.

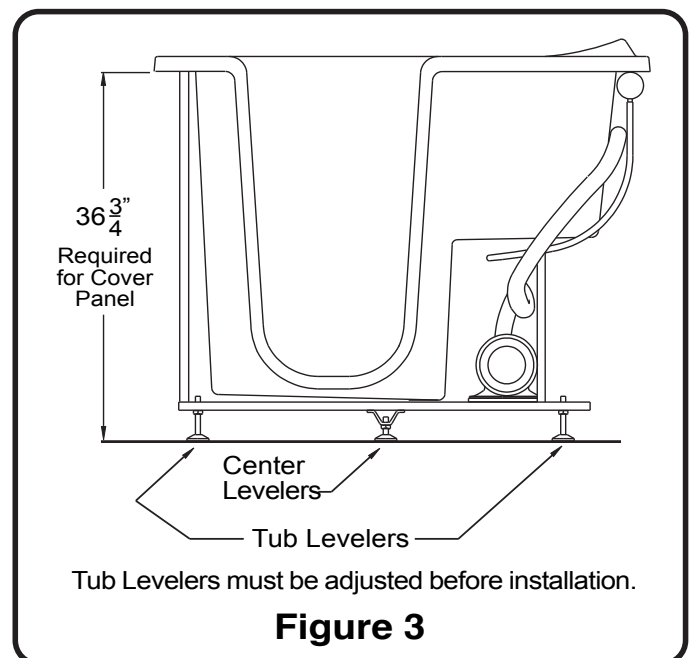
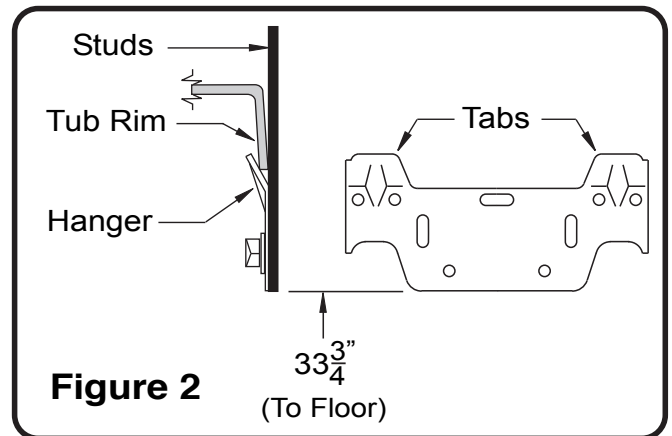
Proper fit of the door side cover panel will have the front surface of the panel extend past the tub rim into the room by approximately 3/8".

8. Carefully lift the walk in tub into position. Lower so the tub rim sets on the metal hanger. Confirm the tub fits as you expect into the installation area. Make adjustments if necessary. Connect the water supplies to the faucet and overflow drain assembly to the waste pipe.
9. Check the entire tub for level. Tub should be level from front to back and side to side. Adjust levelers as needed by simply turning the levelers as required.

For FL6032WI, when level, drill pilot holes through mounting flange at studs. Attach to studs using screws or nails.

10. The next step is to fill the tub for testing. Close and latch the tub door and turn on the water. As it fills, keep an eye on all fittings to check for leaks. When the tub is 3/4 full, shut off the water and recheck level. If the tub is not level, adjust the leveling feet as required. Note that the front center leveling foot is for the door. If you notice any leaking from the door, adjust this leveler as needed.

11. Screw the room side levelers to the floor to prevent the tub from shifting.



12. An optional end wall panel is available to finish the end of the tub that is not against the wall. This panel is trial fit to the tub in the factory. If using this end panel, the installation procedure is described below, and illustrated in Figure 4.

If the panel is installed at the pump end, the bottom is held in place by a tension spring. The top is held by magnets. Unpack the panel and note the top has a round metal disk at each corner.

Trial fit the panel to the tub. Top magnets should engage. Use a carpenter's square on the rim of the tub or a spirit level top to bottom on the panel. Adjust the panel to ensure it is plumb.

Draw a pencil line on the floor along the **BACK EDGE OF THE PANEL**.

Set the panel aside. Secure 2 pieces of scrap wood to the floor along the pencil line. The back edge of the panel will seat against this wood when it is installed.

Move the panel to the install location. Attach the tension spring to the hook provided at the bottom of the panel.

Position the panel so the back edge is at the stud line, and the bottom is against the wood secured to the floor. Move the top toward the magnets so they engage.

When installing the panel on the faucet end of the tub, it attaches differently. In this case, the panel is also trial fit at the factory. It is held in place with 4 magnets, one in each corner, with no tension spring.

Position the panel so the back edge is at the stud line. Move it toward the tub until the magnets engage.

End panels are designed to stop 1/2" short of the room side of the tub rim. This space is required to provide room for the door side cover panel to be installed.

13. Installation of the removable door side cover panel is next. This panel installs around the door and fits along the rim of the tub to make a clean, finished appearance. The panel is held in place by magnets. See Figure 5.

NOTE: The door side cover panel for the APL6032WI will be captured by drywall and will not be removable.

Trial fit the door panel to check the fit. Use a carpenter's square on the rim of the tub or a spirit level top to bottom on the panel. When the panel is plumb, scribe a pencil line on the floor along the **BACK EDGE OF THE PANEL**. Remove the panel and secure a piece of scrap wood to the floor along this line.

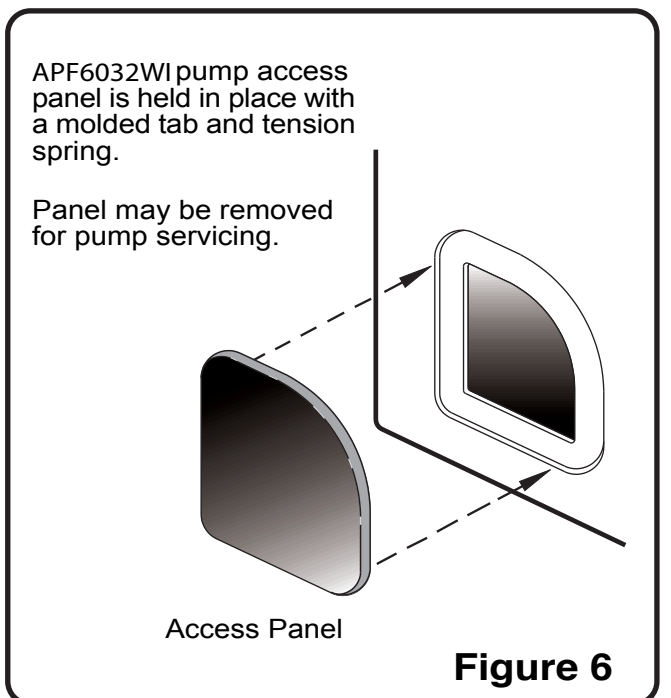
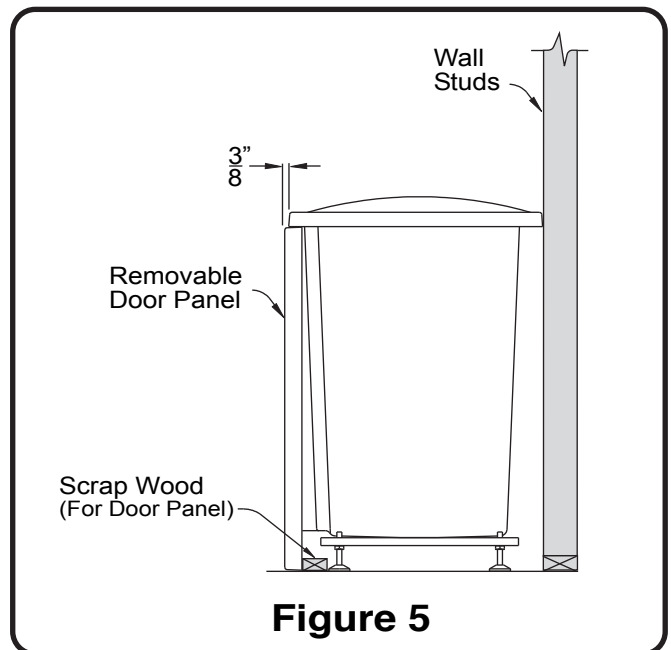
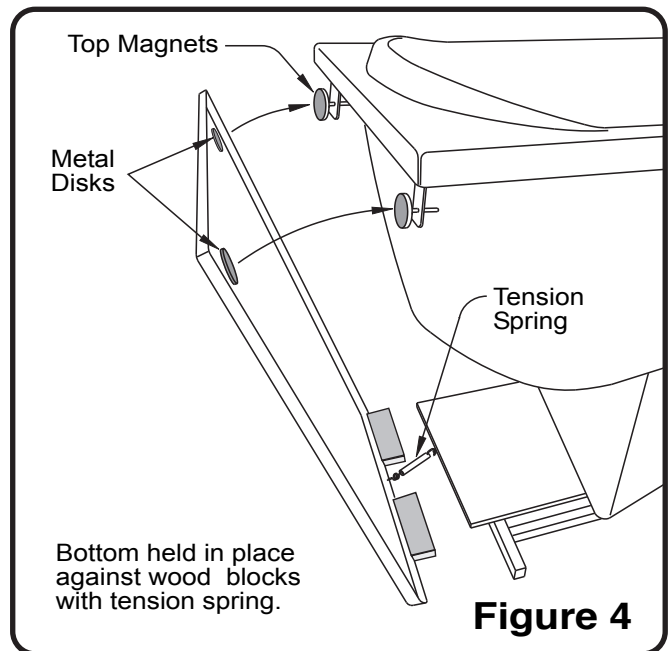
Install door panel by aligning the bottom back edge with the scrap wood. Then move the top into place until the magnets engage. Adjust magnets if necessary by turning threaded magnet support rod.

Adjust the cover panels so the factory prepared seams between the panels and the tub have an even, finished look. Install shims under the cover panels if necessary to minimize the seam along the top of the panel and tub.

Caulking may be applied to all seams as required.

14. The APF6032WI door side panel has a built in pump access opening. The cover panel for this access opening is packed with the side panel and must be installed.

See Instruction Sheet attached to the side cover panel for information on connecting the pump access panel.



15. If you are using the Tub Extension Kit, you probably will need to trim it before fitting. Carefully measure and cut the extension kit. There are a number of different configurations possible depending on the specific installation.

Carefully consider how you want to finish the area and install your support frame accordingly. Wood framing must be constructed at the end of the tub to support the Tub Extension Kit.

An example of a typical installation is shown in Figure 7.

The Extension Kit may be permanently attached by using 100% silicone sealant or construction panel adhesive. Apply adhesive to trimmed edge of the end cap. Use care to avoid excessive use of adhesive so it will not be visible after all finish materials have been installed.

16. Finish all walls with water resistant materials. Install these materials above the tub, and along the sides walls to the floor if preferred.

Remember, unless a contractor provided pump access has been provided, the side door cover panel must be removable for access. Install finished wall and floor materials so they remain clear of the edges of the door cover panel for later removal.

Apply a bead of bathtub caulking to all seams. Smooth caulking with a damp finger before it cures. Figure 8.

If you are installing the wall surround system sold by Accessibility Professionals, refer to the installation instructions packed with the wall surround.

CAUTION

If you use a **RUBBER FLOOR MAT** in this tub or shower unit it must be removed after each usage. If left in the unit, it may cause blisters or damage to the surface finish.

Do not use abrasive cleaners

The most important caution is to avoid use of harsh abrasive cleaners or gritty scouring powders. To clean the unit, simply use a household liquid detergent with soft sponge cloth and warm water. More persistent stains, tar, or paint can be removed with naphtha or mineral spirits.

Remove excess plaster by scraping with a sharpened soft wood stick. Avoid wire brushes, metal scrapers or tools. Restore dull areas by rubbing with automotive type body cleaning compound.

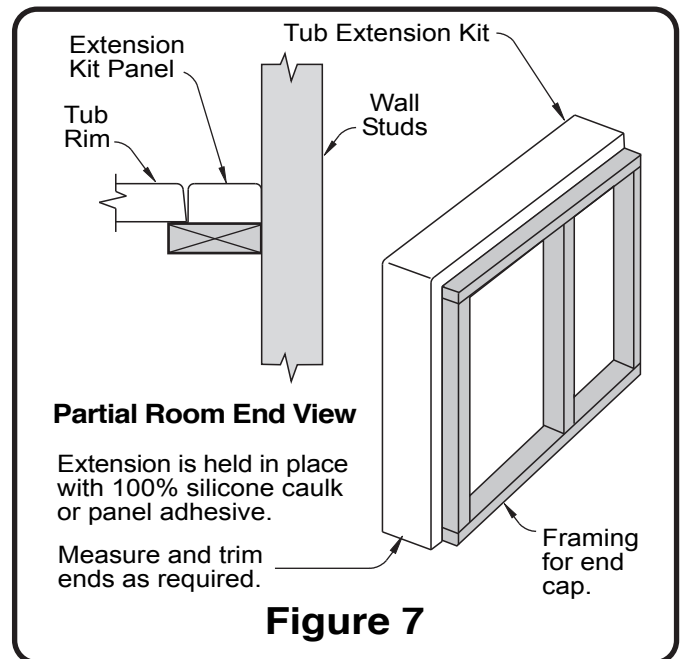


Figure 7

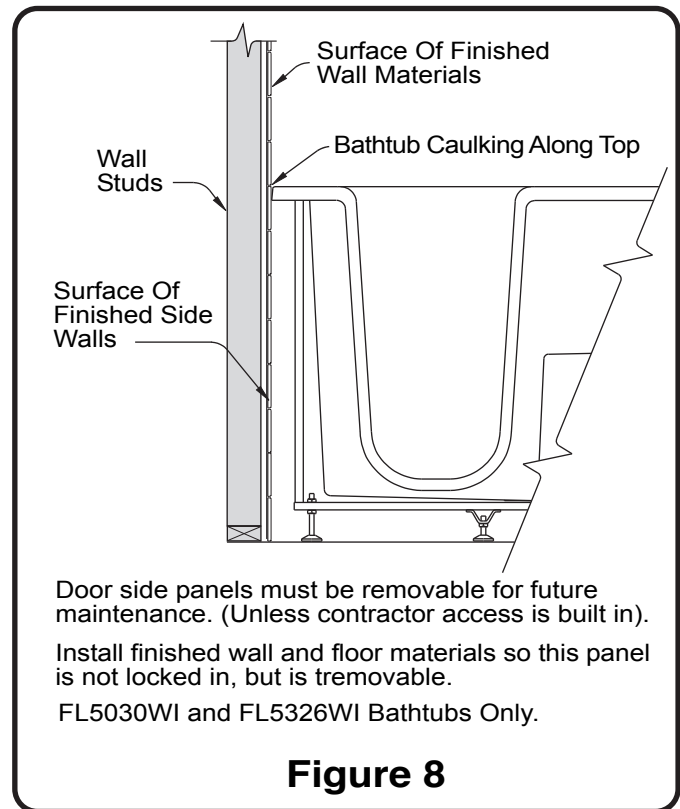


Figure 8

LIMITED WARRANTY

Accessibility Professionals warrants to the owner of its Walk-In Tubs as follows:

The Walk-In Tubs sold by Accessibility Professionals are under warranty for a period of: Three (3) Years Gelcoat, Ten (10) Years CenturyStone, Three (3) Years, pump, parts, and accessories.

If the product shall prove to have material defects, manufacturing defects or other labor defects, during the warranty period, it shall be repaired or exchanged at the discretion of the warranty department of Accessibility Professionals. The exchange of a unit is limited to supplying a replacement unit of comparable size and style and does not include any costs of removal or installation.

This warranty shall be voided if the unit is moved from its place of initial installation, or is not installed in accordance with the instructions supplied by the manufacturer of the unit. Further, this warranty does not apply if the unit has been subjected to accident, abuse, misuse, alterations, alteration of modifications by the buyer, or anyone representing the buyer. It will not cover damage caused by chemical corrosion, natural corrosion, flood, fire or any other act by force of nature.

The buyer of this product is fully responsible for the proper installation of this unit. Accessibility Professionals will not be held responsible for any damages resulting from improper installation.

This warranty does not apply to any equipment or accessories not installed by Accessibility Professionals, and we will not be held responsible for any results of such acts.

The owner agrees by use of this unit that the obligations of Accessibility Professionals shall not exceed to contingent or indirect damage or injury to the structure of its contents, that the obligations of Accessibility Professionals are limited to those set forth herein, and that no other obligations, expressed or implied, are assumed by Accessibility Professionals

All warranty will be implemented at the discretion of the Accessibility Professionals Warranty Department upon the summation and evaluation of the circumstances involving the product in question.

For questions or a copy of the complete product warranty, contact: Accessibility Professionals www.Accessible-Bathrooms.com

Operating Instructions

These operating instructions apply to tubs equipped with: Air Jets, Water Jets or both. Dual systems have separate controls for the Air and Water Jets.

NEVER begin filling the tub with the door open.

For safety, the bather should be seated inside the tub, with the door latched shut before filling the tub with water.

When seated inside the tub, move the door to the closed position. Grasp the door closer handle and move the lever until the tear-drop shaped latches slide to a stop in the closed position.

Confirm the door is latched shut before filling the tub.

Always fill the tub to 2" above the highest air bubbler, or highest water jet.

On/Off is controlled by one of these means:
An On/Off push button - or- An electronic touch pad.

Push Button Operation

Press the On/Off push button to activate the system. The system will operate for 20 minutes and then automatically shut off. If additional time is desired, press the button again. If you wish to stop before 20 minutes has passed, press the button to stop.

Electronic Touch Pad Operation

Study the electronic control touch pad functions detailed on this page. The system will operate for 20 minutes and then automatically shut off. If additional time is desired, press the button again. If you wish to stop before 20 minutes has passed, press the on/off touch pad to stop.

IMPORTANT: Automatic Drying Cycle

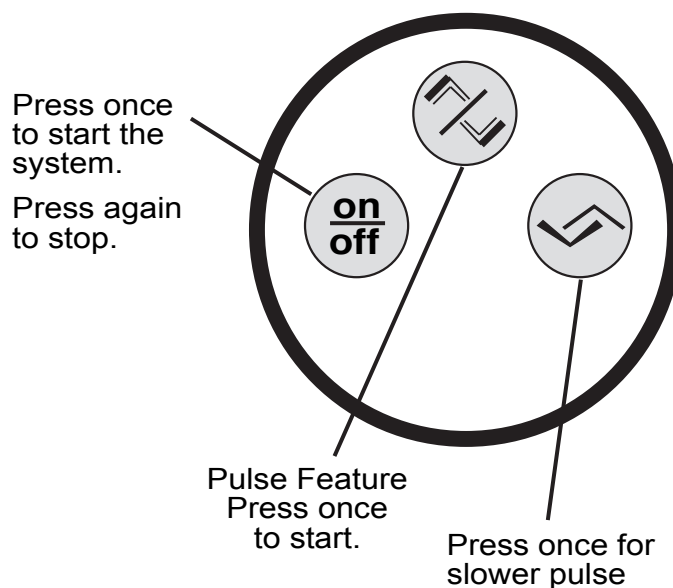
After the tub is drained, an AUTOMATIC drying cycle begins. The injector motor will turn on and operate for approximately 30 seconds. DO NOT INTERRUPT THIS CYCLE. The system operates with the bathtub drained to eject any water that may have seeped into the air jet bubblers. The drying cycle eliminates any water, and will automatically operate and shut off without action required of the user.

If the On/Off control is pushed during the Automatic Drying Cycle, the system stops and resets. It will again begin the drying cycle 20 minutes later. DO NOT INTERRUPT THIS CYCLE.

The Automatic Drying Cycle operates on tubs with the On/Off push button or the Electronic Control.

Tubs with Water Jets only do not have the Automatic Drying Feature.

Electronic Touch Pad Operation



After the On/Off is pushed and the system is operating, push one of the pulse controls. The system will operate with a pulsating effect, faster or slower, depending on the control activated.

(After pulse is pressed, it will take several seconds for the effect to occur)

Press the On/Off pad to end the Pulse Feature.

Important Safety Instructions

- Always drain tub before opening the tub door.
- NEVER enter or exit the tub by climbing over the side. Enter the tub while it is empty, through the door. Climbing on the tub may result in slips and risk of injury.
- Maximum soaking temperature should not exceed 104 degrees (F) 40 degrees (C). Consult a physician for specific temperature and length of use specifications, depending on health considerations.
- Children, elderly or infirm bathers must remain under close supervision.
- Do not use while under the influence of alcohol or drugs.
- Use precaution while entering or exiting the bath to prevent accidental slips or falls.
- Periodically test the Ground Fault Circuit Interrupter to insure it is working properly.

PRODUCT DIAGRAMS

These product diagrams are intended to assist in planning tub installation.

Additional tub accessories have installation instructions separate from this booklet. These instructions are packed with the tub in the factory and included in the packing materials.

