



ACCESSIBILITY
PROFESSIONALS

TWO AND THREE PIECE INSTALLATION INSTRUCTIONS

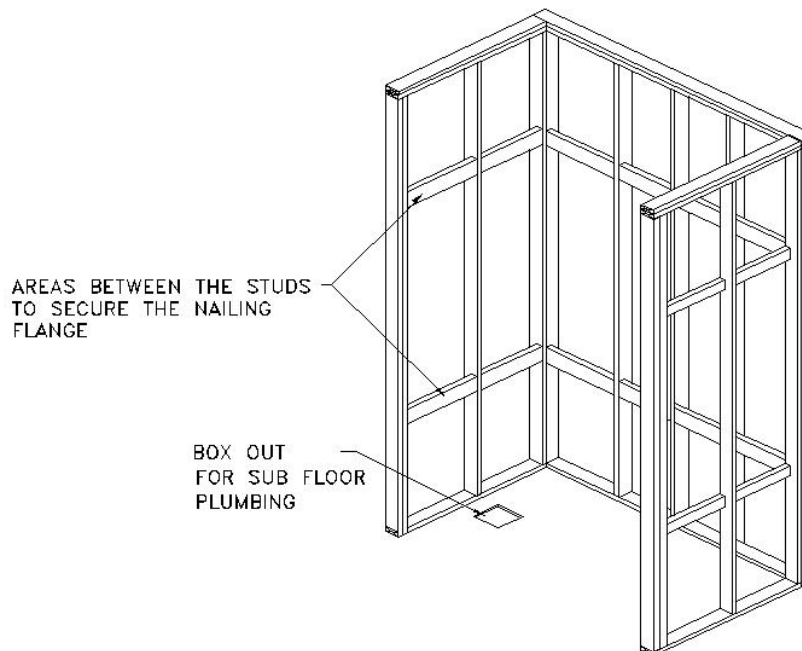
ITEMS NEEDED:

- 1) 6D GALVANIZED SCREWS
- 2) SILICONE
- 3) (4) 1 1/2" x 1 1/2" x 3" WOODEN BLOCKS
- 4) SHIMS
- 5) TAPE

SITE PREPARATION:

1. Plastic fasteners are included in the packaging of the sectional shower you have purchased. Keep those handy, as they will be necessary during installation.
2. Measure the area intended for installation to insure that the unit is the correct hand and size for the area. Once this is confirmed remove the nuts and screws used to hold the sections together, as well as other packing material from the bathing unit.
3. Complete framing. Always have a framing member behind each flange. (Horizontal between vertical studs as well.)

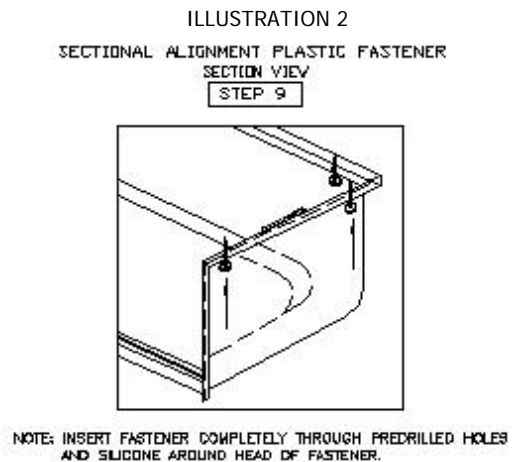
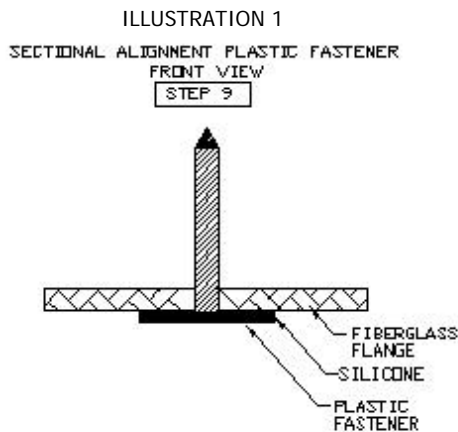
GELCOAT FRAMING INSTRUCTIONS



4. Insure framing is plumb and square.
5. A 5" diameter opening in the floor should be provided for all units to permit clearance for 2" IPS and drain. Other avenues must be taken on barrier free units. This is noted in the barrier free installation instructions.

UNIT PREPARATION:

6. Locate supply lines and showerhead; mark on back (reinforced surface) of unit. After rechecking marks, drill $\frac{1}{4}$ " pilot holes.
7. Place cardboard inside of the unit as a mat while working inside of unit. Working from inside of finished side of unit, using proper hole saw, cut holes for supply lines and showerhead.
8. The plastic fasteners provided are intended to be inserted through the holes on the base to stabilize the wall. For three and four piece units, the plastic fasteners are also intended to insert from one wall to another for stabilization. On the vertical seam, from the front of the unit the plastic fastener must be installed left to right.
9. Apply a bead of silicone to the inside head of the plastic fasteners. Insert the plastic fasteners in the holes on the base ledge coming in from the bottom (outside) and pushing them upward so they point toward the ceiling. (AS SHOWN IN ILLUSTRATION 1 AND 2) The head and silicone should make contact to the bottom ledge of the base. For three piece units, after applying the silicone to the head of the plastic fasteners for the walls, insert them from the backside through the holes in the vertical seams on the left wall (the wall to the left if you are standing in front of an installed unit) so they are facing the right and the heads of them are pressed firmly to the backside of the flanges. For four piece units, after applying the silicone to the head of the plastic fasteners for the walls, insert them on the two front vertical flanges of the back wall. These fasteners will be inserted from the backside and pressed through until the head of the fasteners fully contact the flanges. The fasteners will then be facing out towards the front of the shower.



BASE INSTALLATION:

10. Place the bottom of the unit into position. Level and plumb the base unit. Shim under the back leg of the unit and secure the shim. (AS SHOWN IN ILLUSTRATION 6) Fasten the shower base using 6D-galvanized screws to the framing members on 8" centers vertically and on 16" centers horizontally around the top. An adhesive should be applied to the bottom of the shim to permanently secure it in place when shimming on concrete. When shimming on wooden floors, nail the shim in place to prevent

movement. A minimum of two shims should be used on each unit to insure proper support and a solid base.

11. The silicone at the head of the fasteners should be allowed time to dry.
12. Using 4 wooden blocks and tape, place two wooden blocks on the back ledge, each being $\frac{1}{4}$ of the distance from each side and one on each side at the midpoint. Lightly tape the wooden blocks into place. They will be used to temporarily space the wall above the base while it is being placed. (AS SHOWN IN ILLUSTRATION 3)
13. Place a continuous bead of silicone (AS SHOWN IN ILLUSTRATION 4) on the base between the inside edge of the base and the holes. For three and four piece units, apply a continuous bead of silicone up the vertical seam between the holes for the fasteners and the front or inside edge of the wall.

ILLUSTRATION 3

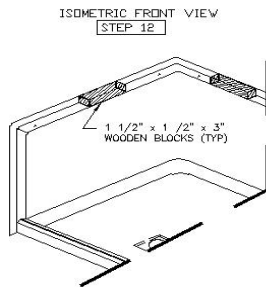
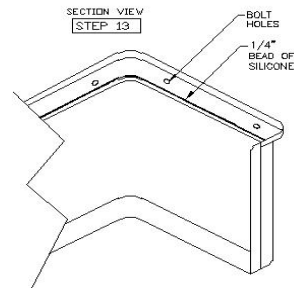


ILLUSTRATION 4



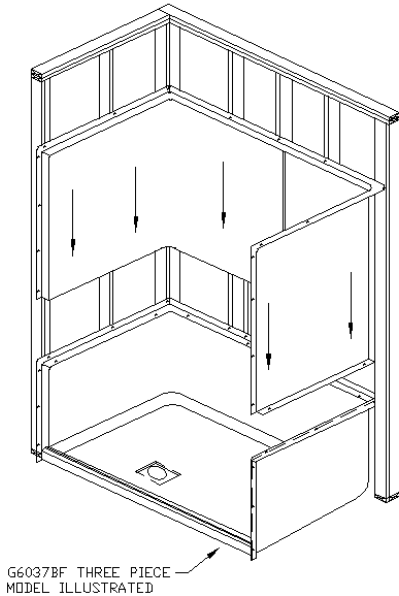
WALL INSTALLATION:

14. Place the wall/walls on top of the wooden blocks. One by one remove the back two wooden blocks taking care to align the plastic fasteners into the holes drilled on the underside of the wall. Repeat the process for the two sides. For three-piece units, place the left wall on the base resting it on the wooden blocks and lightly clamp it in the framing members to hold it in place. Place the other wall on the other two wooden blocks and slide it towards the other wall. Take care to maintain an alignment of the plastic fasteners into and through the receiving holes on the opposite wall. Press the two walls together closing the seam and compressing the silicone between the two walls for a "water tight" fit. For four-piece units, after placing the back wall and temporarily clamping it, guide each sidewall toward the back wall with the corresponding holes in the sidewall flanges directed toward the fasteners on the back wall. Press the sidewalls to the back wall creating a tight seam.
15. Press the shower wall down firmly onto the base of the shower insuring that the plastic fasteners pass through the holes on the wall.

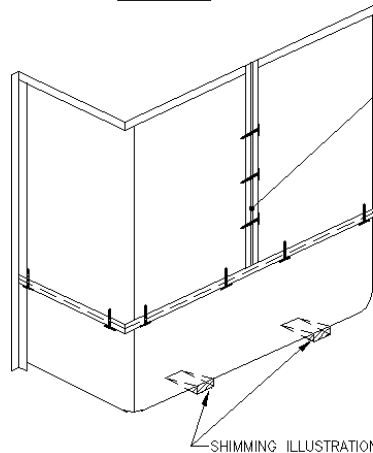
ILLUSTRATION 5

ILLUSTRATION 6

SECTIONAL ALIGNMENT
ISOMETRIC FRONT VIEW
STEP 14



SECTIONAL ALIGNMENT PLASTIC FASTENER
ISOMETRIC BACK VIEW
STEP 15



16. Insure the shower wall is plumb and square. Fasten the shower wall using 6D-galvanized screws to the framing members on 8" centers vertically and on 16" centers horizontally around the top. Proceed with plumbing hook ups. Water test all connections before enclosing behind the unit.
17. Silicone all seams on the front side with a smooth continuous bead. After application, moisten a finger and smooth the bead for an adequate finish.
18. For three-piece units, place the bead of silicone up the vertical seam to prevent leakage.

**** "Additional information for barrier free product"**

19. For barrier free units, refer to the barrier free installation instructions for the proper installation procedure for the floor of the unit. This procedure must be put into practice before the unit is set into place.

INSTALLATION OF GRAB BARS AND SHOWER RODS:

20. For three and four piece units that have grab bars that secure across a seam, exercise the following practices: a) remove the curtain rod b) for units with an I-bar that secure twice on one wall and once on the other wall across the seam, place the wall that only has the one installation point on the bottom and secure it. Place the other wall into position. As it is being installed, place silicone around the hole on the inside and backside and put the through bolt into the hole on the first wall. Place the 3" x 3" plate around the bolt and tighten up the nut. Be careful not to over tighten. Reinstall the curtain rod using grommets. Secure the backside of the curtain rod with liquid nails c) for units with U-wrap bars, take the bar from both walls and install both walls. Place silicone around the holes where the bar installs and also around the holes on the backside of the unit. Put the bar into place. Run the bolts through the holes and secure them from the back using both the 3" x 3" metal plate and the nut provided. Do not over tighten. Reinstall the curtain rod using the grommet provided. Secure the backside of the curtain rod with liquid nail.

CARE AND CLEANING OF GELCOAT UNITS

Do not use abrasive cleaners which may scratch and dull the surface of the unit. To clean the unit after installation, use warm water and one of the stronger liquid detergents, such as: Top Job, Liquid Ajax or Mr. Clean. Use these liquid detergents for normal day-to-day cleaning also.

Plaster can be removed with a nylon or polypropylene scrubber. Do not use steel wool, metal scraper, wire brushes or other metal tools. One of the powder type detergents, such as Spic & Span, may be used on a damp cloth to provide mild abrasive action to remove residue plaster. Minor stains can be removed with a household strength ammonia or bleach.

A periodic scrub down with a gel gloss or a dishwashing detergent (wear rubber gloves) will usually remove any soap or mineral deposits. Periodic waxing with an automotive polish followed by a light application of liquid wax, such as Johnsons' Jubilee will add luster and preserve the finish.

Lighted smoking materials will leave burn marks on fiberglass products. This or other similar damages can often be repaired by rubbing the affected area with an automotive type body polishing compound, such as Dupont No. 7, followed by an automotive body wax, such as Simoniz. More severe burns require careful sanding with 400-600 grit wet carborundum sandpaper and a final rub out with the automotive polishing compound and wax.

Extensive damage can be completely repaired. Such repair work should be performed by a professional service repairman in your area. If local service is not available, or if you need further assistance contact AP. Repair kits with gelcoat included may be purchased through customer service by calling 1-877-947-7769.

If the unit received has a painted applied textured floor please use the box which contained the unit as a mat in the unit while doing any plumbing in the unit. This will protect the painted surface and reduce clean up to a minimum. If dirt does get on the painted surface use any liquid cleaner (Ajax, Pine Sol, etc.) to clean it safely without jeopardizing the textured surface.

NOTICE:

The Collapsible Rubber Water Retainer is intended to prevent water from escaping from the front of the unit on low threshold barrier free shower units.

The Collapsible Rubber Water Retainer is to be installed on the surface by applying 3M High Strength 90 spray Adhesive. In order to maintain a good bond, the surface of the unit must be sanded with 220 grit wet sandpaper to create a mechanical bond.

Each unit has a radius area in each corner to provide the unit additional strength. Instructions follow to describe how to fit the Collapsible Water Retainer in to the radius areas.

After the Collapsible Water Retainer is in place, the edges are secured and water proofed with silicone caulk.

In order to allow air to escape and enter the Collapsible Rubber Water Retainer during compression, two cuts should be made on the front of the Collapsible Rubber Water Retainer.

PRECAUTIONARY NOTES

1. Hand held shower slide bars must have clearance of 1/2" or greater. Aquarius will not be responsible for improper function of slide bars with less than a 1/2" clearance.
2. Factory installed valves -- All plumbing has been water tested at the plant. Any leakage that occurs after installation will not be considered warranty and will be the responsibility of the installer. Do not rough in on the valve wall until the unit has been received and is in place.
3. Customer supplied product will not be covered under Aquarius warranty.

**SPECIAL CARE UNITS WITH EASY BASE
INSTALLATION INSTRUCTIONS**

NOTE: AT THE TIME OF INSTALLATION, INSURE THE FLOORING IS LEVEL. LEVEL FLOORING IN THE AREA INTENDED FOR INSTALLATION IS VERY IMPORTANT. IF THE FLOOR IS NOT LEVEL, THE OUTCOME OF THE INSTALLED UNIT COULD POSSIBLY RESULT IN DIFFICULTY WITH THE INSTALLATION. IN ADDITION, THE AREA MUST BE CLEAN AND FREE OF DEBRIS AND MOISTURE.

A 10" x 10" x 1/2" DEEP BOX OUT (10" CORE DRILL) IS REQUIRED TO BE CENTERED AROUND THE DRAIN PIPE. INSURE THIS AREA IS PREPARED BEFORE INSTALLATION.

- 1) Place the shower into the intended alcove to confirm proper placement of the drainpipe and sizing of the alcove. ****HELPFUL TIP: Place two sections of 1/2" PVC pipe on floor to help slide and tilt unit into position.** (REMOVE PVC PIPE BEFORE PROCEEDING TO STEP 2) **Draw a line on the floor where the front of the threshold lies.**
- 2) Remove the shower from the alcove by leaning it forward, so that it can be laid on its front flanges.
- 3) Clean the area of all dirt, trash, oil, grease, water and other contaminants that may affect adhesion.
- 4) Apply Polyurethane Premium Construction adhesive or Liquid Nails to the floor and in a "zigzag" pattern with the spaces between the sides (lines), around 1/2" wide.

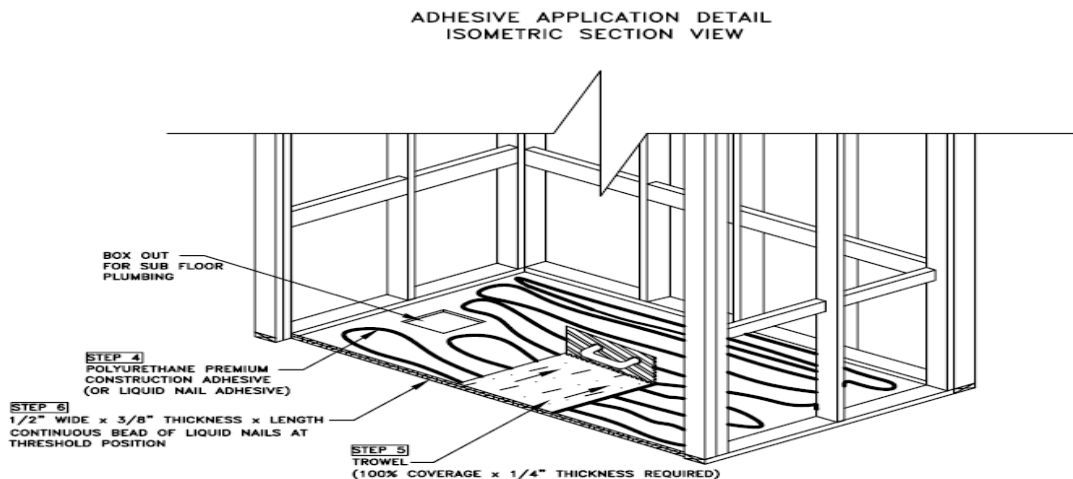
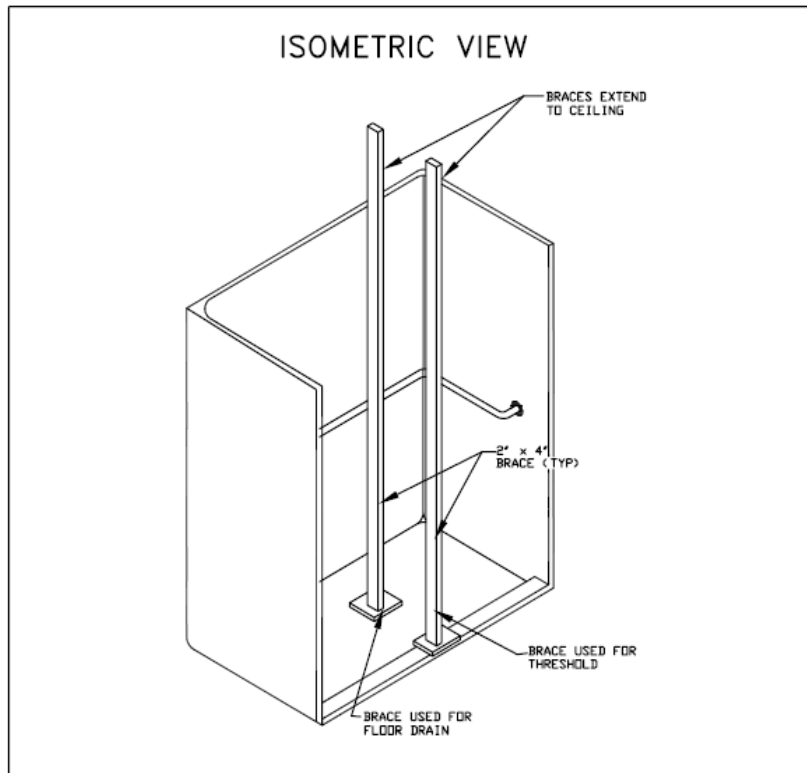


Figure 1

- 5) Using a ¼" trowel, wipe "across" the lines created in step 4. **100% coverage/contact of adhesive to Easy Base is required.**(See Figure 1)
- 6) Next, apply a continuous bead of Liquid Nails Construction adhesive or Polyurethane Premium Construction adhesive ½" wide x 3/8" thick x length to where the threshold of the shower will rest once the unit is installed.
- 7) Secure area around drainpipe with insulation for fire code and to prevent bedding compound from flowing down to the floor below. Fill the 10"x 10" x ½" box out (10" cure drill) area with a very wet non-shrink bedding compound 2/3 full. Do not over fill as this will prevent proper floor draft and may put the drain area up causing unit not to drain properly.
- 8) Install the drain provided in the shower prior to setting it into its final position, but do not store the shower on its bottom while the drain is installed. ****HELPFUL TIP: TEMPORARILY REMOVE DONUT SEAL.**
- 9) Set the shower into place and guide the drainpipe into the drain by using the handle of a hammer or similar object.
- 10) Level the shower and set plumb. If the floor is not level, it will require the use of shims to level the shower. If shims are required, they should be placed no more than 6 inches apart to provide proper support. **DO NOT SHIM THE UNIT MORE THAN 1/8"**. If the shower requires more than 1/8" shim adjustment, the shower will need to be pulled out and the floor will need to be leveled. Insure the drain is lined up in the appropriate areas.
- 11) Secure the shower to the framing members through the flanges using 6D galvanized screws on 8" centers.
- 12) Cut a 2 x 4 member of 10" to place directly over the drain area. Cut a 2 x 4 member to extend from the ceiling to the 10" wooden block on the drain area. Protect the shower surface by placing a towel under the wooded block.
- 13) Place the brace from the ceiling to the 10" piece of wood. This should be a tight fit. (See Figure 2)
- 14) Repeat steps 12 through 13, for the threshold, pressing it down to make complete contact with a continuous bead of Liquid Nails Construction adhesive.
- 15) A torpedo level should be placed from floor to insure the unit has proper slope and drainage. If unit does not drain properly, the unit must be pulled back up to determine where the problem lies. This should be done immediately after step 14 before the materials have had a chance to set.
- 16) Unit should be walked in and found to be stable and without flex.
- 17) All bracing can be removed after 72 hours after Liquid Nails Construction adhesive has been applied.



****THE DRAIN CONNECTION SHOULD BE TIGHTENED AFTER THE FLOOR HAS BEEN BRACED, CURED, AND THE BRACED REMOVED i.e. 72 HOURS AFTER INSTALL. **CHECK THE FLOOR TO INSURE THERE ARE NO HIGH SPOTS AND THE DRAFT HAS BEEN MAINTAINED.**

****ATTENTION: THE TRESHOLD MUST BE FLAT ACROSS THE FULL WIDTH WITH NO BOW AND LEVEL TO THE FLOOR.**

Following the appropriate installation procedures is imperative on this product. Not following these procedures could result in product failure which will not be covered under manufactures warranty.