



**ACCESSIBILITY  
PROFESSIONALS**

## **Kitchen Appliance Lift INSTRUCTION MANUAL**



[www.AccessibilityPro.com](http://www.AccessibilityPro.com) 1-877-947-7769



Granberg Interior AB  
Box 6112  
SE-600 06 Norrköping  
SWEDEN  
Tel: +46 (0)11-19 77 50

# Contents

---

Section:	Headline:	Page:
1.	Introduction .....	4
2.	Declaration of Conformity .....	4
3.	Intended use - Technical data .....	4
	<b>Installation instructions:</b>	
4.1	Mechanical construction .....	5
4.2	Delivery modules .....	5
4.3	Location of electric connections .....	5
4.4	Installation in the cabinet .....	6
4.5	Location of push button unit .....	6
4.6	Functional test .....	7
	<b>Operator's information:</b>	
5.1	Safe use .....	7
5.2	Load distribution and side forces .....	8
5.3	Actions after use .....	8
5.4	Control device options .....	9
5.5	Cleaning .....	10
5.6	Maintenance .....	10
6.	Instructions for Recycling .....	11
7.	Decals .....	11
8.	Warranty .....	12
9.	Service & maintenance records .....	13
10.	Fault-finding .....	14
11.	Spare parts list .....	14
12.	Electric circuit diagram .....	15
13.	CE-declaration of Conformity .....	15

## 1. Introduction

We have the pleasure to deliver a Granberg Interior Kitchen appliance lift 870, an electrically operated lifting and lowering system for e.g. food processing machines, bottle crates, microwave oven, computer, sewing-machine etc.

The Lift includes a wooden board platform, onto which the load shall be placed. With the push button box the motorized platform with its load is brought to convenient reach height.

### **Only authorized persons may use the Kitchen appliance lift!**

Authorization means obligation to read and follow the instructions.

It is very important that you read and understands the instructions before you use the device.

If you have any questions - contact your supplier.

This Instruction manual shall be available for all concerned persons, be kept in a protected place and shall follow the product, if it is moved to another installation site or another house or apartment owner.

### **Correct use, operation, inspections and maintenance are decisive for efficient and safe work.**

## 2. Declaration of Conformity with EU-directives

This product is CE-marked and is granted to conform to the basic safety and operation requirements, in accordance with the actual Machinery, EMC- and Low voltage Directives. A separate "CE-Declaration of Conformity" is available in section 13.

## 3. Intended use - Technical data

The Kitchen appliance lift 870 is intended to achieve a convenient location for handling material, which has been placed on the Lift platform by means of manoeuvring it along an arc-shaped path up to top level, or to bring it into the cabinet. The operation shall be indoors, under normal housing conditions regarding temperature, humidity and lighting. The Kitchen appliance lift is not intended for use in moist environments. It is assumed that the cabinet is made according the standards EN 1116 and EN 1153.

### **Technical data, Kitchen appliance lift 870:**

<b>Model:</b>	<b>870-04063</b>	<b>870-05063</b>	<b>870-06063</b>
Cabinet width	400 mm	500 mm	600 mm
Cabinet height, inside	Adjusted for the height of the load on the platform.	Adjusted for the height of the load on the platform.	Adjusted for the height of the load on the platform.
Cabinet depth, inside	Adjusted for the size of the load on the platform.	Adjusted for the size of the load on the platform.	Adjusted for the size of the load on the platform.
Vertical stroke, max	575 mm	575 mm	575 mm
Horizontal stroke, max	500 mm	500 mm	500 mm
Machine depth, raised platform	1055 mm	1055 mm	1055 mm
Machine depth, lowered platform	555 mm	555 mm	555 mm
Machine height, raised platform	745 mm	745 mm	745 mm
Machine height, lowered platform	660 mm	660 mm	660 mm
Platform width	330 mm	430 mm	530 mm
Platform length	350 mm	350 mm	350 mm
Time for a lift or lowering stroke, approx	16 sec.	16 sec.	16 sec.
Mains supply	230V / 120V*	230V / 120V*	230V / 120V*
El. protection class	IP 54	IP 54	IP 54
Power consumption 120V / 230V	324 W / 345 W	324 W / 345 W	324 W / 345 W
Max no. of full work cycles per hour	6	6	6
Control voltage	24 V DC	24 V DC	24 V DC
Weight	15 kg	15 kg	15 kg
Max load on the platform	20 kg	20 kg	20 kg
The noise pressure is less than	70 db(A)	70 db(A)	70 db(A)

\* The voltage depends on which model that is delivered

## 4.1 Mechanical construction

The Kitchen appliance lift 870 comprises a motor powered parallel-acting arm system that lifts and lowers the platform. The lifting arrangement is fixed onto a framework. The curved lifting and lowering motion is achieved by an electrically powered screw jack, which is attached in the framework and in the arm system.

Picture 1

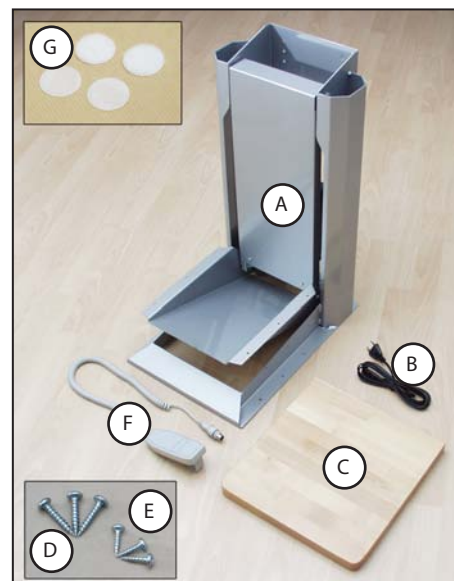


## 4.2 Delivery modules

The Kitchen appliance lift is delivered in a box. The parts acc. picture 2 shall be installed acc. to the installation instruction. See section 4.4.  
The packaging material shall be handed over to an organized material re-cycling organisation.

- A - Lift mechanism
- B - Mains cable to the power unit
- C - Wooden platform
- D - 10 off 6x30 mm wood screw, for mounting the lift mechanism in the cabinet
- E - 6 off 4x20 mm wood screw, for mounting the platform on the lift mechanism
- F - Hand-held control unit
- G - Self-adhesive Velcro pads

Picture 2



## 4.3 Location of the electric connection

The Kitchen appliance lift must be connected to a separate mains switch, which is placed in the vicinity of the lift. A double electric socket 230 V or 120 V (*The voltage depends on which model that is delivered*) shall be installed in the cabinet. (Also an electrically operated device, which is placed on the platform, is fed from the same socket).

Place the socket so that it does not disturb the motion of the Kitchen appliance lift.  
Be careful with the location and fastening of the cables, so that they cannot be damaged.

- \* Power consumption 230 V = 575 W
- \* Power consumption 120 V = 720 W

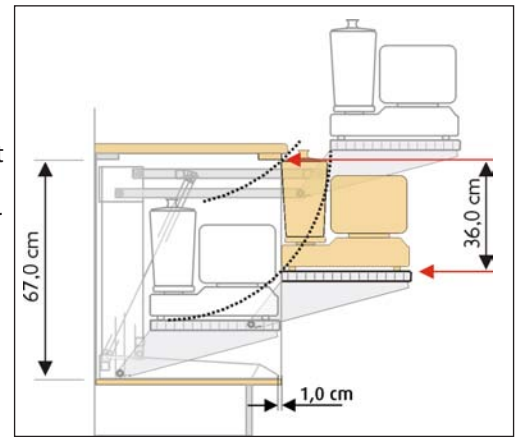
**An authorized electrician must make the electric installation!**

## 4.4 Installation in a cabinet

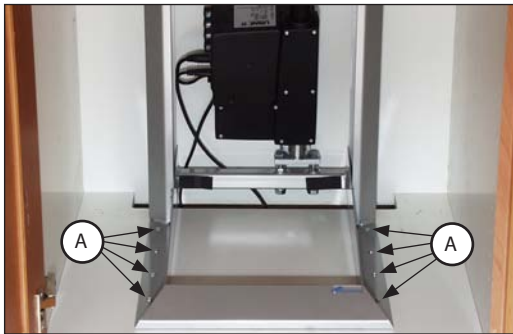
### To consider before installation:

The dimensions of the cabinet must be suitable for the size of the Kitchen appliance lift as well as for the space required for the load. A standard cabinet with inside height 67 cm and depth minimum 56 cm is sufficient. The location of the lift is adapted for the size of the cabinet, to the size of the load and to desired height in the raised position. Be aware of that the maximum height of the load at the rear end of the platform is 36 cm when the Kitchen appliance lift is installed 1 cm from the cabinet front edge, for the standard cabinet described above. Other cabinet dimensions or other load location can allow higher or lower load.

Side view

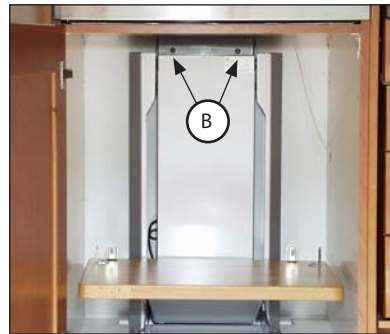


**Competent persons must make the installation work!**



#### 4.4.1

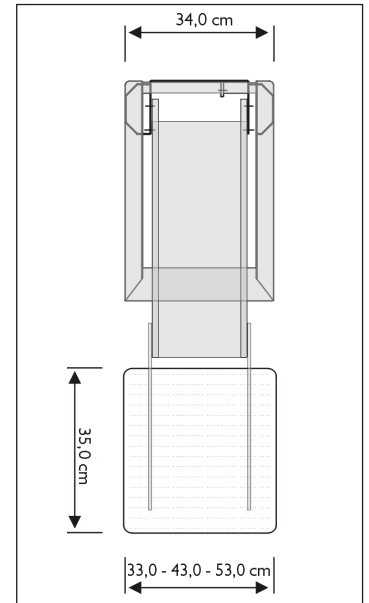
Put the Kitchen appliance lift on the bottom of the cabinet, approx. 1 cm from the front edge of the cabinet. Fix screws in all 8 holes of the bottom frame (A).



#### 4.4.2

Fix the upper part of the Kitchen appliance lift to the wall (B). Fill the space between the Kitchen appliance lift and the wall with a suitable wooden joist.

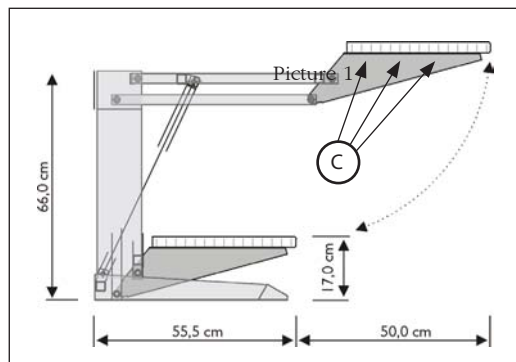
From above



#### 4.4.3

Connect to the electric socket and operate the lift to the top position.

Fix the platform onto the lift rack with six wood screws (C), picture 1. (The platform has got markings for the location of the screws).



## 4.5 Location of the control box

A hand-held control box is delivered as standard, and this shall be placed in the cabinet or on the inside of the cabinet door. Thereby it is prevented that the Kitchen appliance lift is operated before the door has been opened.

There are two alternatives for parking the push button box:

Suspension hook:

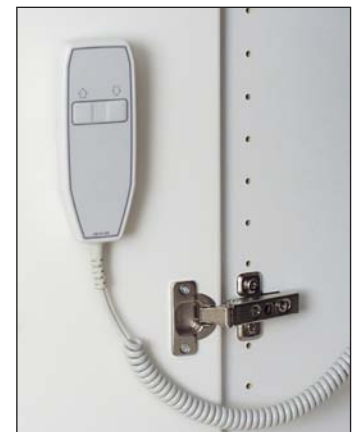
When delivered the push button box is provided with a suspension hook.

Self-adhesive Velcro pads:

Dismantle the hook from the push button box and put the included self-adhesive pads on the backside of the control unit.

Check the position of the cable carefully, so that it cannot be jammed.

Picture 2



## 4.6 Functional test

After installation a complete functional test with full load shall be made:

Run the Kitchen appliance lift up and down all the way to respectively end position. Check that it moves freely, without hindrance and jarring sounds. Check that no cables or hoses are jammed.

## 5.1 Safe use

The Kitchen appliance lift is provided with safety arrangements in order to prevent and avoid damages and accidents. It is however still very important that the operator is well instructed in how to install and operate the Kitchen appliance lift.

- Only use the Kitchen appliance lift for its intended purpose, i.e. handling of machines and goods, which can be accommodated within the dimensions of the platform and the cabinet.
- The operation and use must be made in such way that there is no risk for damages on persons and property.
- The Kitchen appliance lift may only be operated by persons who have read and understood these instructions, and are authorized to use it.
- Be aware of that you as an operator are responsible for that nobody is damaged.
- The Kitchen appliance lift and the work area must be in proper condition. The Kitchen appliance lift must not be used if any fault has appeared which influences the functions or the operation safety. It shall also not be used if it has been repaired, altered or adjusted without permission of a responsible person.
- Make sure that the Kitchen appliance lift is installed on a firm ground with sufficient mounting details, enough for the total weight. Competent persons shall carry out the installation work.
- The operator shall have a clear view of the hazardous parts of the Kitchen appliance lift, the load and the area around it all the time when operations are taking place.
- Do not touch any part of the lift when operating it. Only press the button for desired motion direction.
- Do not put hands, arms, or any other part of the body or any object into the lifting device when the Kitchen appliance lift is brought from the parking position. The parking position means when the Kitchen appliance lift is fully lowered and brought to the back frame, i.e. at the bottom level.
- The cabinet door shall be fully open when the Kitchen appliance lift is operated.
- Keep in mind that when the Kitchen appliance lift has left the parking position, the risk increases to get damaged by the lift or the open door.
- Do not lower the Kitchen appliance lift unless the space below it is free from persons or obstacles.
- Observe the trapping risk between the Kitchen appliance lift and the cabinet.
- Only stable and securely loaded items may be handled. It can be necessary to fix the load onto the platform by means of screws or other attachment devices.
- Never let the Kitchen appliance lift or the load come in contact with adjacent objects.
- Alterations of the Kitchen appliance lift that influence the operational safety or the functions are not allowed.
- Decals and markings must not be removed or made illegible.
- Do not overload the Kitchen appliance lift.
- Use safe and sufficient lifting methods when handling machines or material to and from the Kitchen appliance lift. In particular beware when handling heavy items, and loads with dangerous content or sharp parts.
- Handling or use of e.g. a machine on the platform can be dangerous. The risks must be judged by the operator. Also see the manufacturers instructions.
- The Kitchen appliance lift shall regularly, once a year, be inspected in order to prevent accidents.
- Applicable Building and Safe use Regulations must be complied with.
- It is forbidden to stay in the cabinet, to hang on the Kitchen appliance lift or to use the lift for lifting persons.
- Do not use the Kitchen appliance lift as a lifting jack, e.g. for lifting things from the floor.
- The machine shall not be in direct contact with food.
- Do not use the Kitchen appliance lift in a potentially explosive environment.
- When the operation is in a public location, particularly when children can enter the work area, the operator shall make satisfactory arrangements to prevent persons from entering the hazardous area when the lift is being operated, or it has been lowered from the parking position, e.g. by means of blocking the work area or by means of adding protection devices.
- During inspections, service and repair work there shall be no load on the lift.
- Competent persons only must carry out installation, service and repair works.
- Only Granberg original spare parts shall be used when replacing any parts. Our warranty commitment can otherwise be invalidated.

## 5.2 Load distribution and side forces

Note that the max. rated load 20 kg means that the load is uniformly distributed over the platform. Point loads are not allowed.

### **Basic loading requirements:**

- \* **The load is distributed over the entire platform, with the centre of gravity in the centre of the platform.**
- \* **Horizontal forces are not allowed.**

Horizontal forces can appear, for example, when pressing onto the Kitchen appliance lift or the load. It is difficult to estimate the size of the actual horizontal force, so utmost care must always be taken.

Further to the incorporated safety arrangements additional safety actions may be required on or at the Kitchen appliance lift. Discuss suitable actions with your Granberg representative or with the health and safety inspection.

We recommend that a Risk assessment in accordance with the Machinery Directive shall be made for the actual working conditions.

If the owner fits accessories, contact Granberg to get approval for the loading conditions.

## 5.3 Actions after use

The Kitchen appliance lift shall after use be left fully raised to the top level, the parking position.

Switch off the main switch or take out the electric plug if unauthorized use can occur.

To prevent unauthorized use it can also be possible to place the push button box inside a lockable cabinet.

## 5.4 Alternative control devices

The operator shall have a clear view of the hazardous parts of the Kitchen appliance lift and its motions, but not directly within the work area, as there is a risk that objects may fall out of the cabinet. (Due to limited space it can be necessary to place the control devices is placed within the work area).



### Control buttons

#### UP / DOWN of aluminium

The button unit is mounted recessed in workbench front, cabinet side etc.

A control position frame for several control devices can be ordered, to be able to control more lifting devices and the lighting from one position.



### Hand-held control unit mounted on a spiral cable.

The control unit is provided with a hook on the back-side, as suspension device. Self-adhesive Velcro pads are included, to enable suspension position according to your own choice.



### Frame for several control devices

If the control devices have been brought together to a common control station it is important to clearly mark which buttons control resp. lifting device. This will decrease the risk for operating another lifting device than the desired.

In order to prevent unauthorized use the control position can be provided with a key switch.



### Remote control with hand-held control unit

The IR-receiver is placed above the cabinet and is connected to lift's control device socket

**See also section 5.1, "Safe use", regarding safe conditions and risks at handling the machine and the load!**

## 5.5 Cleaning

In its use in a house the mechanism can be exposed to dirt. As the Kitchen appliance lift contains electrical components it is very important that cleaning is made according this instruction.

### **WARNING!**

**\* The Kitchen appliance lift must absolutely not be connected to the electric supply when cleaning is carried out.**

**\* The Kitchen appliance lift must absolutely not be rinsed with water!**

### **Care instructions:**

The Kitchen appliance lift is cleaned with lukewarm water and a non-scratching detergent containing soap or similar. Use a swab or similar. After cleaning the surfaces shall be dried to avoid lime deposits. Scratching detergents or tools e.g. steel wool may not be used.

The cabinet shall be cleaned and maintained in accordance with the manufacturers' instructions.

## 5.6 Maintenance

The Kitchen appliance lift is maintenance-free. Greasing and other actions are made during the manufacturing for the lifetime of the lift. From safety point of view however some components shall be inspected each year.

\* Inspections, service and repair work shall be made by competent persons.

\* Remove the objects from the Kitchen appliance lift before maintenance and repair works are made.

1. Run the lift down and up all the way to resp. end position. Check that it runs freely without trapping risks and jarring sounds. Check that it stops and stays in the lower resp. upper positions.
2. Check that the cables are not chafed, squeezed or breaking.
3. Check that the attachments are in proper order.

Accomplished inspections and repair works shall be specified in the service records in section 9.

## 6. Instructions for recycling

When the Kitchen appliance lift shall be re-used shall it must be cleaned, inspected and go through a full operation test before it is installed on the new site.

We recommend the machine to be sent to Granberg or to the Granberg distributor to get this done.

The machine is manufactured from re-usable materials or from materials that can be recycled.

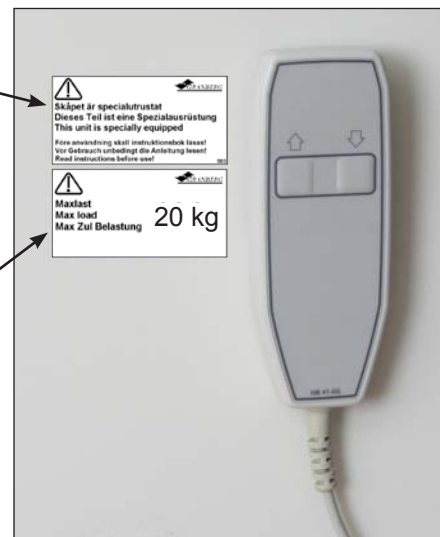
## 7. Decals

Two decals are included in the instruction manual envelope, and these must be placed in the cabinet.

The decal that explains that the cabinet is specially equipped shall be placed close to the control box.



The Max. load decal shall be placed at the push button box.



## 8. Warranty

In accordance with the warranty conditions Orgalime S 2000 the manufacturer will replace or repair all faults which depend on manufacturing or material faults and which appear within twenty-four (24) months from the delivery. For further details about the conditions, see Orgalime S 2000.

Note! Alternative warranty conditions may apply. See the Order Acknowledgement for actual conditions.

The warranty is only valid if inspections and maintenance is carried out in accordance with the instructions. This warranty does not cover the cost of normal maintenance, settings or scheduled adjustments as specified in the instructions. Also the labour costs for such actions are not covered by the warranty.

Damages caused by misuse or incorrect operation of the equipment means that the warranty would expire.

Before any warranty work is commenced by a customer Granberg must be contacted for analysis and approval. We do not accept to carry any warranty costs if the repair work has started without an agreement by us.

Do not return any parts that have been worn out during normal operation or accidentally damaged. Only return worn or damaged parts if it is considered that the fault is covered by our warranty conditions. In such cases, return the parts without delay, otherwise the right to replacement may be lost.

When returning parts always quote the details shown on the manufacturer's plate, i.e. Type, manufacturing number, year and describe the operating conditions for the machine.

Remember to quote name, address and telephone number for the appropriate contact person.

## 9. Service and Maintenance Records

Type and model: \_\_\_\_\_ Manufacturing No.: \_\_\_\_\_

Delivery date: \_\_\_\_\_

Service & maintenance Date: _____ Sign. _____ Remarks: _____ _____ _____	Service & maintenance Date: _____ Sign. _____ Remarks: _____ _____ _____	Service & maintenance Date: _____ Sign. _____ Remarks: _____ _____ _____
Service & maintenance Date: _____ Sign. _____ Remarks: _____ _____ _____	Service & maintenance Date: _____ Sign. _____ Remarks: _____ _____ _____	Service & maintenance Date: _____ Sign. _____ Remarks: _____ _____ _____
Service & maintenance Date: _____ Sign. _____ Remarks: _____ _____ _____	Service & maintenance Date: _____ Sign. _____ Remarks: _____ _____ _____	Service & maintenance Date: _____ Sign. _____ Remarks: _____ _____ _____

## 10. Fault finding

The Kitchen appliance lift is designed and tested to achieve optimum operation reliability and long life, provided that the operation, maintenance and inspections are carried out in accordance with the prescribed instructions. If in spite of this a fault appears you can get guidance about what to do according to the fault finding list below.

Remove the load from the platform before fault finding and repair work is carried out.  
Fault finding, service and repair work shall be made by competent persons only.

If any problem remains after you have taken actions in accordance with the list below you must contact a competent technician or your supplier.

Symptom	Action
The machine does not move when a control signal is given.	Check that the fuse for the mains feed is not damaged.
	Check that the mains plug is connected.
	If the Kitchen appliance lift still does not move contact an authorized technician and/or your supplier.
	This shall as first action, after above check points, check that all cables are connected and undamaged, and that the green light on the control box is lighting.
	If it is not lighting the control box is probably defect. Order a new unit from Granberg.

**When repair work has been carried out on the Kitchen appliance lift a complete functional test with full load shall be made, before it is taken into use. (See section 4.6).**

## 11. Spare parts list

If any component does not work or has broken, contact your supplier.  
Only Granberg original spare parts must be used when replacing any parts. Our warranty commitment may otherwise be invalidated.

Return of spare parts:

Contact Granberg prior to any return of parts.

Do not return any parts that have been worn out during normal operation or accidentally damaged. Only return worn or damaged parts if it is considered that the fault is covered by our warranty conditions. In such cases, return the parts without delay, otherwise the right to replacement may be lost.

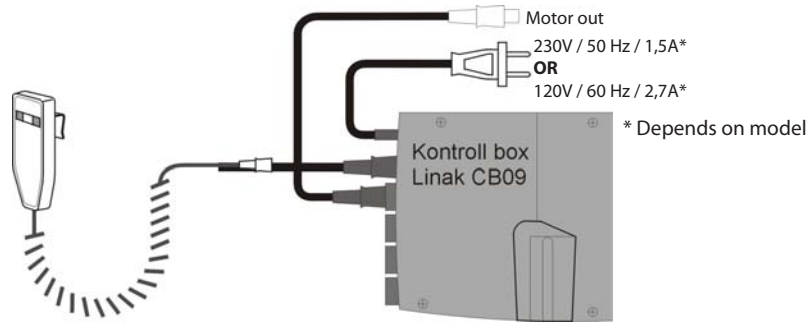
When ordering spare parts always quote the manufacturing number and type.

Position:	Description:
1	Motor
2	Control unit
3	Mains cable
4	Wooden platform
5	Handheld control unit
6	Self-adhesive Velcro pads

Picture 1



## 12. Electric circuit diagram



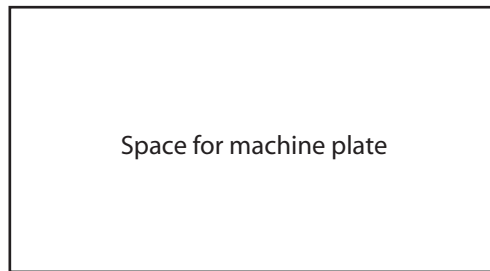
## 18. CE-Declaration of conformity

(According Machinery Directive 98/37/EC, Annexe 2A)

Manufacturer: Granberg Interior AB  
Box 6112,  
SE-600 06 NORRKÖPING, Sweden

Tel. +46-11-19 77 50  
Fax +46-11-12 76 76

declares under sole responsibility that the product:



to which this declaration relates, is in manufactured in conformity with the following harmonised documents, following the provisions of Machinery Directive 98/37/EC, the Low Voltage Directive 73/23/and the EMC Directive 89/336/EEC It also conforms to the following harmonised standards:

EN 60204-1 Safety of Machinery - Electrical Equipment of Machines -General Requirements

Norrköping, 2006-04-20  
Granberg Interior AB

Tobias Granberg  
Managing Director