



**ACCESSIBILITY  
PROFESSIONALS**

## **Slimlift INSTRUCTION MANUAL**



[www.AccessibilityPro.com](http://www.AccessibilityPro.com) 1-877-947-7769



Granberg Interior AB  
Box 6112  
SE-600 06 Norrköping  
SWEDEN  
Tel: +46 (0)11-19 77 50

# Contents

---

Section:	Headline:	Page:
1.	Introduction .....	4
2.	Declaration of Conformity.....	4
3.	Intended use - Technical data.....	4
	<b>Installation instructions:</b>	
4.1	Mechanical construction .....	4
4.2	Delivery modules.....	5
4.3	Joist heights, location of wall socket, water and sewerage.....	6
4.4	Installation and connection of control unit and control buttons.....	6
4.5	Electric connections .....	7
4.6	Water and sewerage connections.....	8
4.7	Installation of Slimlift, 6230 .....	8
4.8	Functionality test.....	10
	<b>Operator's information:</b>	
5.1	Safe use .....	10
5.2	Safety arrangements .....	10
5.3	Load distribution and side forces.....	11
5.4	Actions after use .....	11
5.5	Alternativa manöverdon.....	11
5.6	Cleaning.....	12
5.7	Maintenance .....	12
6.	Recycling instructions.....	12
7.	Decals .....	12
8.	Warranty .....	13
9.	Service & maintenance records.....	13
10.	Fault finding.....	14
11.	Spare part list .....	14
12.	Electric system / Electric circuit diagram .....	15
13.	Declaration of Conformity .....	15

## 1. Introduction

We have the pleasure to deliver a Granberg Interior Slimlift 6230, an electrically operated lifting and lowering system. The Worktop lift unit can be used separately, or together with the Granberg Wall cabinet lifts, and it becomes then a total adaptation of the kitchen. The lift is suitable for kitchens of various makes, which are made according the standards EN 1116 and EN 1153.

### **Only authorized persons may use the Worktop lift unit!**

Authorization means obligation to read and follow the instructions.

It is very important that you read and understands the instructions before you use the device.

If you have any questions - contact your supplier.

This Instruction manual shall be available for all concerned persons, be kept in a protected place and shall follow the product, if it is moved to another installation site or another house or apartment owner.

### **Correct use, operation, inspections and maintenance are decisive for efficient and safe work.**

## 2. Declaration of conformity with EU directives

This product is CE-marked and is thereby declared to conform to the basic functionality and safety requirements of current Machinery, EMC and Low Voltage Directives.

A separate "EC Declaration of Conformity" will be found in Section 13.

## 3. Intended use - Technical data

The Slimlift 6230 is intended to vertically lift and lower the worktop to achieve a convenient location performing normal kitchen work. The operation shall be indoors, under normal housing conditions regarding temperature, humidity and lighting. In the worktop cassette e.g. electric hob and a sink can be incorporated.

The worktop lift unit is not intended for use in moist environments.

It is assumed that the work top benches and the cabinets are made according the standards EN 1116 and EN 1153.

\* Solid wood benches are not recommended.

### Technical data, Slimlift

Model:	6230
Arrangement	Straight
Width	550 - 2550 mm
Worktop height, excl. top board	640 - 940 mm
Cassette depth, from wall, excl. front	560 mm
Vertical stroke, max	300 mm
Time for a lift or lowering stroke	ca. 20 sec.
Mains supply	230V / 120 V*
Power consumption 120V / 230V	575 W / 720W
Max no. of full work cycles per hour	5
Control voltage	24 V DC
Weight, suspended cabinets	25 kg / meter
Max load at the top board	150 kg



\* The voltage depends on which model that is delivered

### 4.1 Mechanical construction

The worktop lift comprises one or two motors mounted on the floor and a aluminium bar with consoles. On the consoles a worktop is mounted.

The lift and lowering motion is achieved by electrically powered screw jacks, which operate between the floor and the aluminium bar.

## 4.2 Delivery Modules

The Worktop lift unit is delivered in boxes. The components shall be assembled in accordance with the assembly instructions. The packaging material shall be handed over an organized material re-cycling organisation.

<p>Console</p> 	<p>Aluminium bar</p> 	
<p>Motor set, 1 motor</p>  <p>1) Motor 2) Control box 3) Electric cord</p>	<p>Motor set, 2 motors</p>  <p>1) Motor 2) Control box 3) Electric cord</p>	
<p>Push button MINI</p> 	<p>Flexible water hoses (accessory)</p> 	<p>Flexible sewer (accessory)</p> 
<p>Remote control</p> 		

Example on accessories:  
Worktop board, electrical hob, sink, mixer tap, additional safety strip.

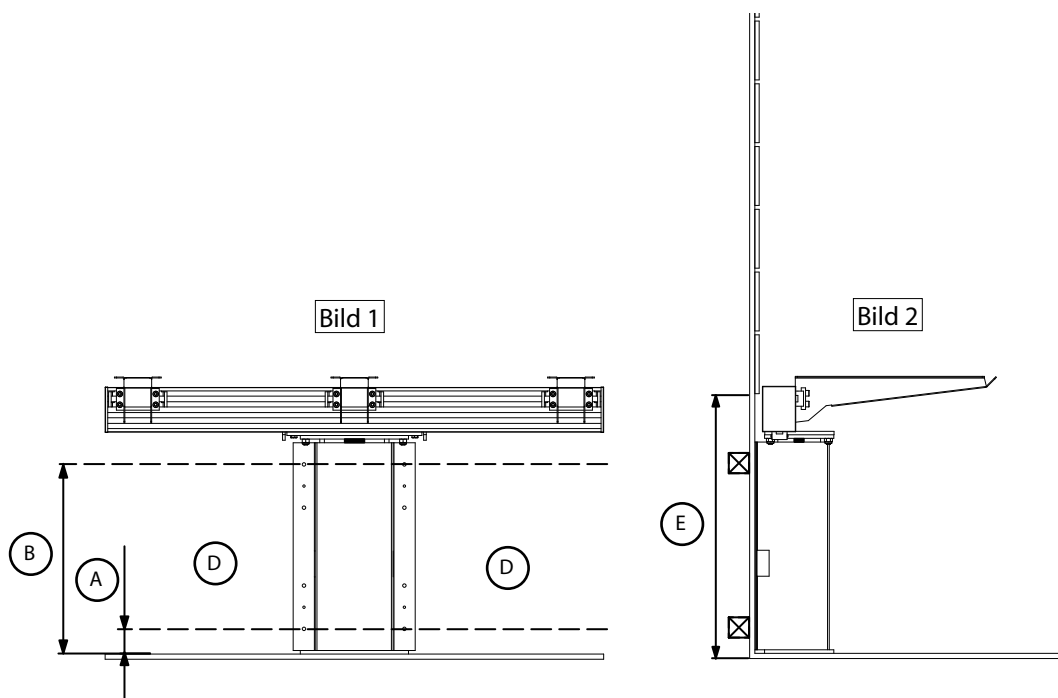
### 4.3 Joist heights, location of electric socket, water and sewerage

Laying joists in the wall, electric sockets, water and sewerage connections shall be positioned according to the following table.

Work height:	Joist / attachment A-measure	Joist / attachment B-measure	Location of electric	location of water and sewerage	Tile height Pos. E
640 - 940 mm*	60 mm**	440 mm**	Pos. D	Pos. D	600 mm

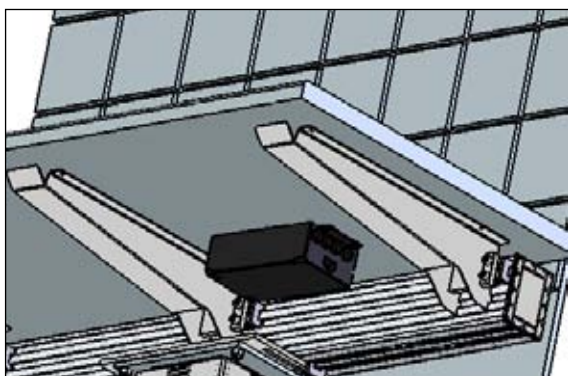
\* The measure is without worktop board.

\*\* laying joist behind motor.



### 4.4 Installation of control box and push button

The control box shall be mounted below the worktop in the back.



## 4.5 Electric connections

The worktop lift unit shall be connected to a separate main switch, which is placed in the kitchen or its vicinity. The socket for 230 V or 120 V (*The voltage depends on which model that is delivered*) shall be placed according to section 4.3.

\* Power consumption 230 V = 575 W

\* Power consumption 120 V = 720 W

**An authorized electrician must make the electrical installation**

## 4.6 water and sewer connections

The water connections shall be made to 1/2" lockable coupling. See section 4.3 for correct location

### **Note!**

Professional persons must make the connection of the water and sewer pipes, to prevent water damages. It is important that the right materials are used and that location and fixing is made properly. The use of Granberg original installation materials, and the instructions in this manual, ensures correct execution, if a component fitter carries out the installation work.

## 4.7 Installation of straight worktop lift unit 6230



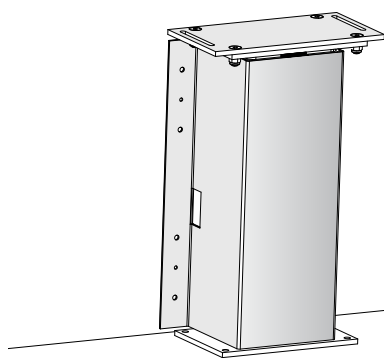
### Note!

- Tiles shall be mounted on the wall prior to installation of the worktop unit lift.
- To facilitate the side wise positioning the cabinets are installed on one side of the worktop unit lift prior to installing the worktop lift.

**Competent persons must make the installation work!**

### 4.7.1

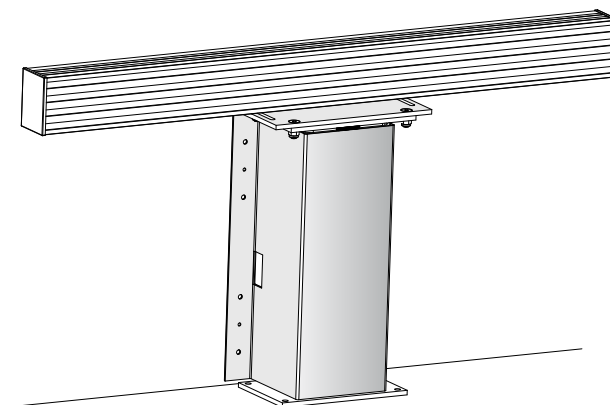
place the motor on the floor and mount it to the wall.  
If it is two motors they will be placed symmetric.



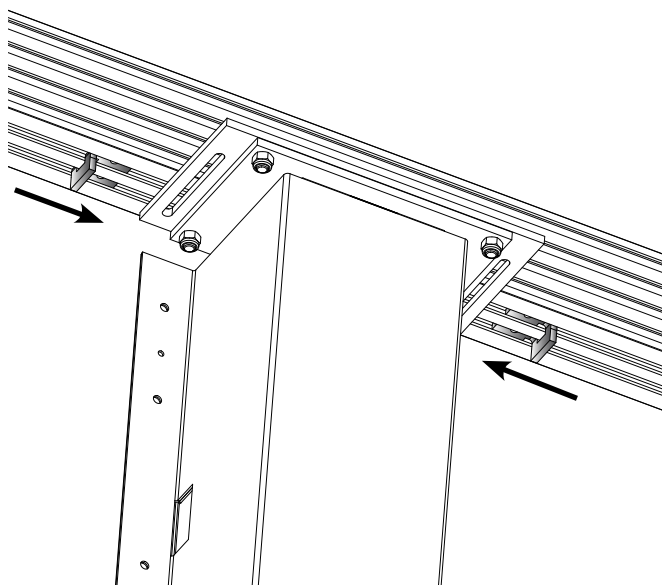
Screw in the holes that are placed 60 mm and 440 mm above floor. See section 4.3.

### 4.7.2

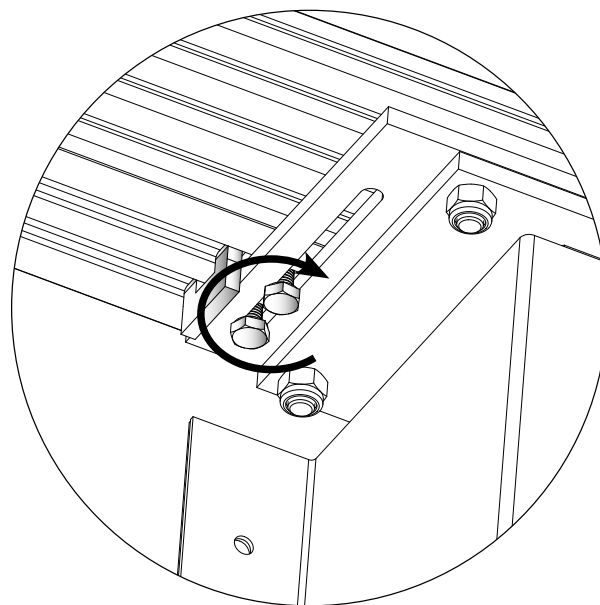
Place the aluminium bar on the motor.



### 4.7.3



### 4.7.4



#### 4.7.5

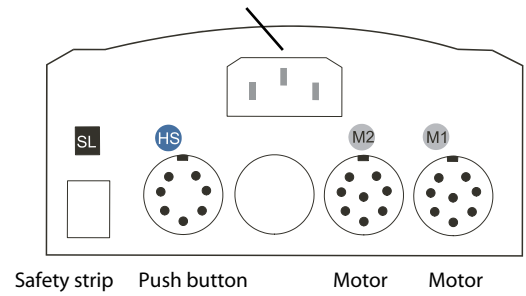
Connect motors, push button and electrical cord as shown in picture.

#### Synchronizing the motors:

press the down button for 5 seconds until the control box clicks..  
When the control box clicks the synchronisation is ok.

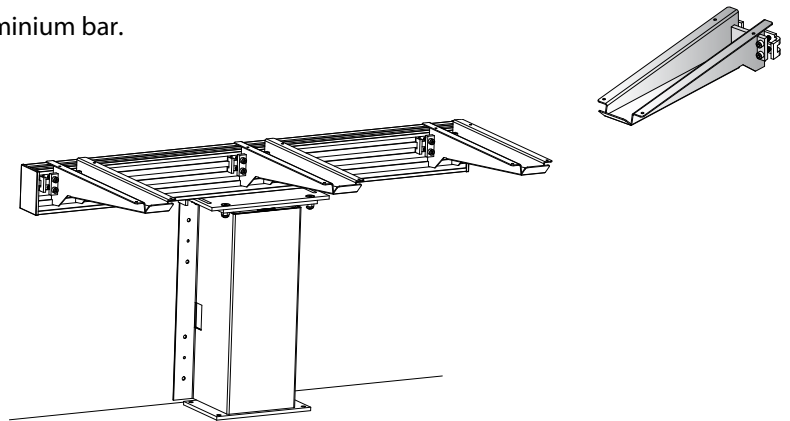
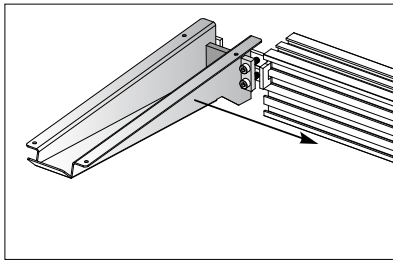
Raise the lift to the top position.

Input:  
(Depends on model)  
120 V / 60Hz / 6A **OR** 230 V / 50Hz / 2,5A



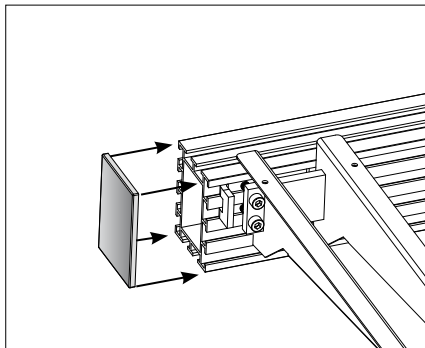
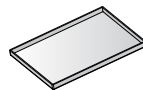
#### 4.7.6

Mount the consoles in the two upper slides in the aluminium bar.  
Spread the consoles as wanted and fix the screws.



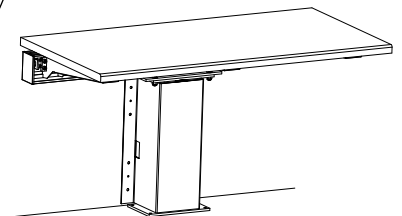
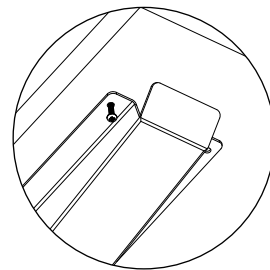
#### 4.7.7

Mount the end covers on the aluminium bar.



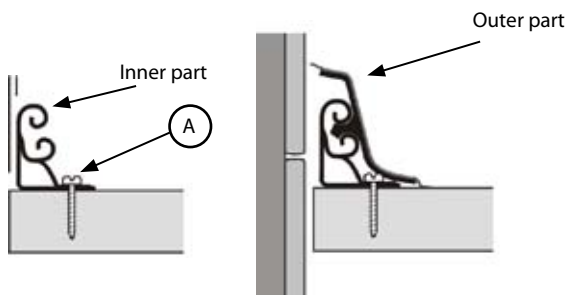
#### 4.7.8

Fix the worktop on the consoles by screwing.



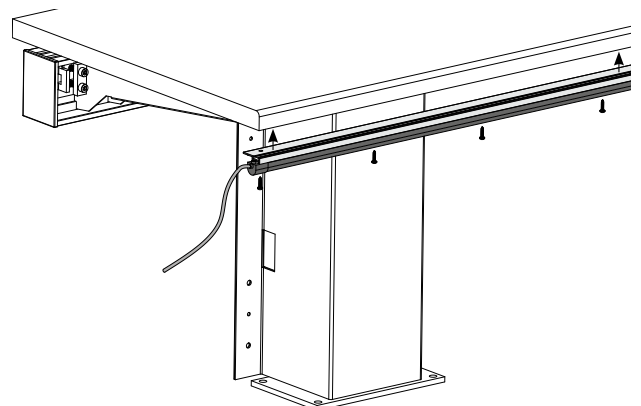
#### 4.7.9

Mount the rear edge aluminium strip (accessory).  
Remove the outer part.  
Fix the inner part with screws according to position (A).  
Press back the outer part and remove the protection film.



#### 4.7.10

Mount the safety strip (accessory)  
Note that the list must be connected to move the lift downwards.



## 4.8 Functional test

When the installation is complete, full functional test with full load shall be made.:

- \* Run the worktop lift unit down and up to each end position. Check that it moves freely without hindrance and jarring sounds. Check that it stays in the bottom and top position..
- \* Check that no cables are jammed.
- \* Lower the worktop lift unit down and check that the safety strip under the lift works properly, by means of pressing lightly on it. The machine shall stop immediately. (Safety strip is an accessory)

## 5.1 Safe use

The Worktop lift unit is provided with safety arrangements in order to prevent and avoid damages and accidents. It is however still very important that the operator is well instructed in how to install and operate the Worktop lift unit. In the following the Worktop lift unit means the lifting machine and the fitted accessories, such as drawers, chopping boards and suspended cabinets.

- Only use the Worktop lift unit for its intended purpose.
- The operation and use must be made in such way that there is no risk for damages on persons and property.
- The Worktop lift unit may only be operated by persons who have read and understood these instructions, and are authorized to use it.
- Be aware of that you as an operator are responsible for that nobody is damaged.
- The Worktop lift unit and the work area must be in proper condition. The Worktop lift unit must not be used if any fault has appeared which influences the functions or the operation safety. It shall also not be used if it has been repaired, altered or adjusted without permission of a responsible person.
- Do not touch any part of the lift when operating it. Only press the button for desired motion direction.
- Do not put hands, arms, or any other part of the body or any object under the worktop or the cabinets when it is operated.
- Do not operate with open cabinet doors, drawers or chopping boards.
- Do not raise the Worktop lift unit unless the space above it is free from persons or obstacles. In particular if the Worktop lift unit is installed under a Wall cabinet lift with adjustable height there is an imminent risk that you do not notice objects or equipment that might be trapped.
- Notice the jamming risk between the Worktop lift units and adjacent work tops and cabinets.
- Only stable and securely loaded items may be handled. Mind the tilting risk for objects which are unstable, e.g. carelessly piled.
- Safety devices must not be taken out of service or removed.
- Alterations of the Worktop lift unit that influence the operational safety or the functions are not allowed.
- Do not overload the Worktop lift unit and make sure that the load distribution is correct.
- It is absolutely forbidden for persons to stay on the worktop, to stand on extended drawers and chopping boards or to use the lift for lifting persons.
- Always distribute the load uniformly on the worktop and within the cabinets, to avoid cantilever loading. Consider the risk that the load can roll, slide or fall over.
- Use safe and sufficient lifting methods when handling load to and from the Worktop lift unit. In particular beware when handling heavy items, and goods with hazardous content or with sharp corners and edges.
- Be aware of the risks when you work on Worktop lift unit. The risks are depending on the arrangements on the worktop.
- The Worktop lift unit shall regularly, once a year, be inspected in order to prevent accidents.
- Applicable Building and Safe use Regulations must be complied with.
- Do not use the Worktop lift unit as a lifting jack, e.g. for lifting things from the floor.
- Do not use the Worktop lift unit in a potentially explosive environment.
- When the operation is in a public location, particularly when children can enter the work area, the operator shall make satisfactory arrangements to prevent persons from entering the hazardous area when the lift is being operated, or it has been lowered from the parking position, e.g. by means of blocking the work area or by means of adding protection devices.
- Decals and markings must not be removed or made illegible.
- During inspections, service and repair work there shall be no load on the worktop or in the cabinets. It can be necessary to dismantle the worktop and cabinets from the lift to carry out service or repair, but the most common functions can be reached when the cover panels have been removed.
- Competent persons only must carry out installation, service and repair works.
- Only Granberg original spare parts shall be used when replacing any parts. Our warranty commitment can otherwise be invalidated.

## 5.2 Safety arrangement

The underside of the Worktop lift unit is provided with a safety strip. If the profile is pressed during lowering, the worktop lift unit shall stop immediately. Check the safety frame function often.



### 5.3 Load distribution and side forces

Note that the maximum rated load means that the load is distributed over and inside the entire Worktop Lift. Point loads are not allowed.

It is absolutely forbidden for persons to stay on the worktop, to stand on extended drawers and chopping boards or to use the lift for lifting persons.

#### Basic loading requirements:

- \* **100 % of the rated load distributed over the entire cabinet volume.**
- \* **Horizontal forces are not allowed.**

Horizontal forces can appear, for example, when pressing onto the shelves or the load. It is difficult to estimate the size of the actual horizontal force, so utmost care must always be taken.

Further to the incorporated safety arrangements additional can safety actions may be required on or at the Worktop lift unit. Discuss suitable actions with your Granberg representative or with the health and safety inspection.

We recommend that a Risk assessment in accordance with the Machinery Directive shall be made for the actual working conditions. If the owner fits accessories, contact Granberg to get approval for the loading conditions.

### 5.4 Action after use

The Worktop lift unit shall after use be left in its current position. Switch off the main switch and lock it in closed position, if unauthorized use can occur.

To prevent unauthorized use can it is also possible to furnish the control panel with a key switch, by means of which the control circuit is disconnected.

### 5.5 Alternative control buttons

The operator shall have a clear view of the hazardous parts of the Worktop lift unit and its motions, but not directly within the work area, as there is a risk that objects may fall out from it. (Due to limited space it can be necessary to place the control devices is placed within the work area).

Push button MINI



Remote control



The I R-receiver is placed in a suitable position and is connected to the lift's control device socket. Before the receiver is permanently fixed, check that it is placed so that the signals from the hand unit reach the receiver when the operator is on a convenient and safe control position.



Control button UP / DOWN of aluminium

The button unit is mounted recessed in workbench front, cabinet side etc. A control position frame for several control devices can be ordered, to be able to control more lifting devices and the lighting from one position.



If the control devices have been brought together to a common control station it is important to clearly mark which buttons control respective lifting system. This will decrease the risk for operating another lifting device than the desired.

In order to prevent unauthorized use the control position can be provided with a key switch.

See also section 5.1, "Safe use"; regarding safe conditions and risks at handling the machine and the load.

## 5.6 Cleaning

In its use in a kitchen environment the mechanism can be exposed to dirt. As the worktop lift unit contains electrical components it is very important that cleaning is made according to this instruction.

### WARNING!

- \* **The Worktop lift unit must absolutely not be connected to the electric supply when cleaning is carried out.**
- \* **The Worktop lift unit must absolutely not be rinsed with water! (not applicable for the sink).**

### Care instructions:

Remove the cover panels under the Worktop unit, in front of the mechanism. The Worktop lift unit is cleaned with lukewarm water and a non-scratching detergent containing soap or similar. Use a swab or similar. After cleaning the surfaces shall be dried to avoid lime deposits.

## 5.7 Maintenance

The Worktop lift unit is maintenance-free. Greasing and other actions are made during the manufacturing for the lifetime of the lift. From safety point of view however some components shall be inspected each year.

- \* Inspections, service and repair work shall be made by competent persons.
  - \* Remove the objects from the Worktop unit before maintenance and repair works are made.
1. Run the lift down and up all the way to respective end position. Check that it runs freely without trapping risks and jarring sounds. Check that it stops and stays in the lower respective upper positions.
  2. Lower the Worktop unit and lift the safety strip under Worktop unit to check that this operates properly. The Worktop unit shall stop immediately.
  3. Check that the cables are not chafed, squeezed or breaking.
  4. Check that the wall attachments are in proper order.
  5. If the Worktop is inclined adjustment can be made according to the installation instructions.

**Accomplished inspections and repair works shall be specified in the service records in section 14.**

## 6. Instructions for recycling

When the Worktop lift unit is reused make sure that safety trip panel is the right size.

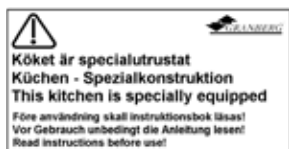
When the Diagonal lift unit shall be re-used shall it must be cleaned, inspected and go through a full operation test before it is installed on the new site.

We recommend the machine to be sent to Granberg or to the Granberg distributor to get this done.

The machine is manufactured from re-usable materials or from materials that can be recycled.

## 7. Decals

Two decals are included in the instruction manual envelope, and these must be placed in the kitchen.



The decal that explains that the kitchen is specially equipped shall be placed close to the control the button.



The decal that explains the loading capacity shall be placed close to the control the button.

## 8. Warranty

In accordance with the warranty conditions Orgalime S 2000 the manufacturer will replace or repair all faults which depend on manufacturing or material faults and which appear within twenty-four (24) months from the delivery. For further details about the conditions, see Orgalime S 2000.

**Note!**

Alternative warranty conditions may apply. See the Order Acknowledgement for actual conditions.

The warranty is only valid if inspections and maintenance is carried out in accordance with the instructions. This warranty does not cover the cost of normal maintenance, settings or scheduled adjustments as specified in the instructions. Also the labour costs for such actions are not covered by the warranty

Damages caused by misuse or incorrect operation of the equipment means that the warranty would expire.

Before any warranty work is commenced by a customer Granberg must be contacted for analysis and approval. We do not accept to carry any warranty costs if the repair work has started without an agreement by us.

When returning parts always quote the details shown on the manufacturer's plate, i.e. Type, manufacturing number, year and describe the operating conditions for the machine.

Remember to quote name, address and telephone number for the appropriate contact person.

## 9. Service and Maintenance Records

Type and model: \_\_\_\_\_ Manufacturing No.: \_\_\_\_\_

Delivery date: \_\_\_\_\_

Service & maintenance Date: _____ Sign. _____ Remarks: _____ _____ _____	Service & maintenance Date: _____ Sign. _____ Remarks: _____ _____ _____	Service & maintenance Date: _____ Sign. _____ Remarks: _____ _____ _____
Service & maintenance Date: _____ Sign. _____ Remarks: _____ _____ _____	Service & maintenance Date: _____ Sign. _____ Remarks: _____ _____ _____	Service & maintenance Date: _____ Sign. _____ Remarks: _____ _____ _____

## 10. Fault finding

The Worktop lift unit is designed and tested to achieve optimum operation reliability and long life, provided that the operation, maintenance and inspections are carried out in accordance with the prescribed instructions. If in spite of this a fault appears you can get guidance about what to do according to the fault-finding list below.

Remove the load from the cabinet before fault finding and repair work is carried out.  
Fault finding, service and repair work shall be made by competent persons only.

If any problem remains after you have taken actions in accordance with the list below you must contact a competent technician or your supplier.

Symptom	Action
The Worktop lift unit does not move when a control signal is given	Check that the fuse for the mains feed is not damaged
	Check that the mains plug is connected.
	Check that the safety strip is not actuated.
	Check that the wires are properly fastened in the control device.
	If the lift still does not move contact an authorized technician and/or your supplier.
	This shall as first action, after above check points, check that all cables are connected and undamaged, and that the green light on the control box is lighting. If it is not lighting the control box is probably defect. Order a new unit from Granberg.

**When repair work has been carried out on the Worktop lift unit a complete functional test with full load shall be made, before it is taken into use. (See section 4.8).**

## 11. Spare part list

If any component does not work or has broken, contact your supplier. Only Granberg original spare parts must be used when replacing any parts. Our warranty commitment may otherwise be invalidated.

### Return of spare parts:

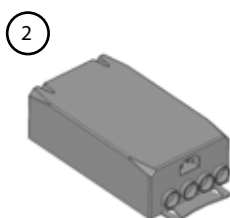
Contact Granberg prior to any return of parts.

Do not return any parts that have been worn out during normal operation or accidentally damaged. Only return worn or damaged parts if it is considered that the fault is covered by our warranty conditions. In such cases, return the parts without delay, otherwise the right to replacement may be lost.

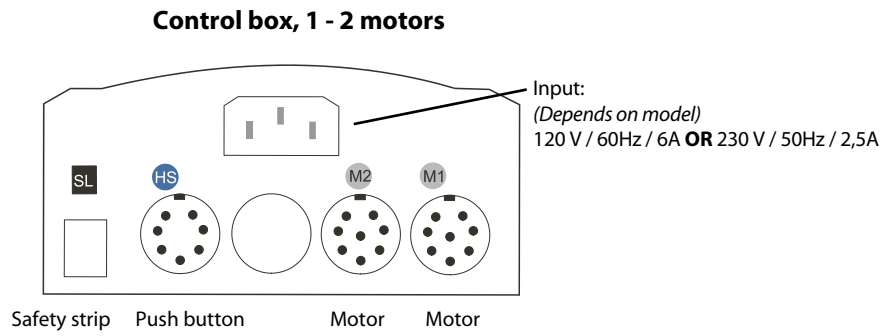
When ordering spare parts always quote the manufacturing number and type.

No.: Description:

- 1 Motor
- 2 Control box
- 3 Push button



## 12. Electric system / Electric diagram



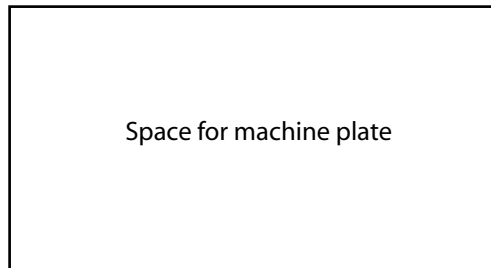
## 18. CE-Declaration of conformity



(According Machinery Directive 98/37/EC, Annexe 2A)

Manufacturer:            Granberg Interior AB  
                                  Box 6112,  
                                  SE-600 06 NORRKÖPING, Sweden  
                                  Tel. +46-11-19 77 50  
                                  Fax +46-11-12 76 76

declares under sole responsibility that the product:



to which this declaration relates, is in manufactured in conformity with the following harmonised documents,

following the provisions of Machinery Directive 98/37/EC, the Low Voltage Directive 73/23/and the EMC Directive 89/336/EEC

It also conforms to the following harmonised standards:

EN 60204-1            Safety of Machinery - Electrical Equipment of Machines -General Requirements

Norrköping, 2008-05-06  
Granberg Interior AB

Tobias Granberg  
Managing Director